

# Activity 9

# Assembling axle bushes

PDF Guide

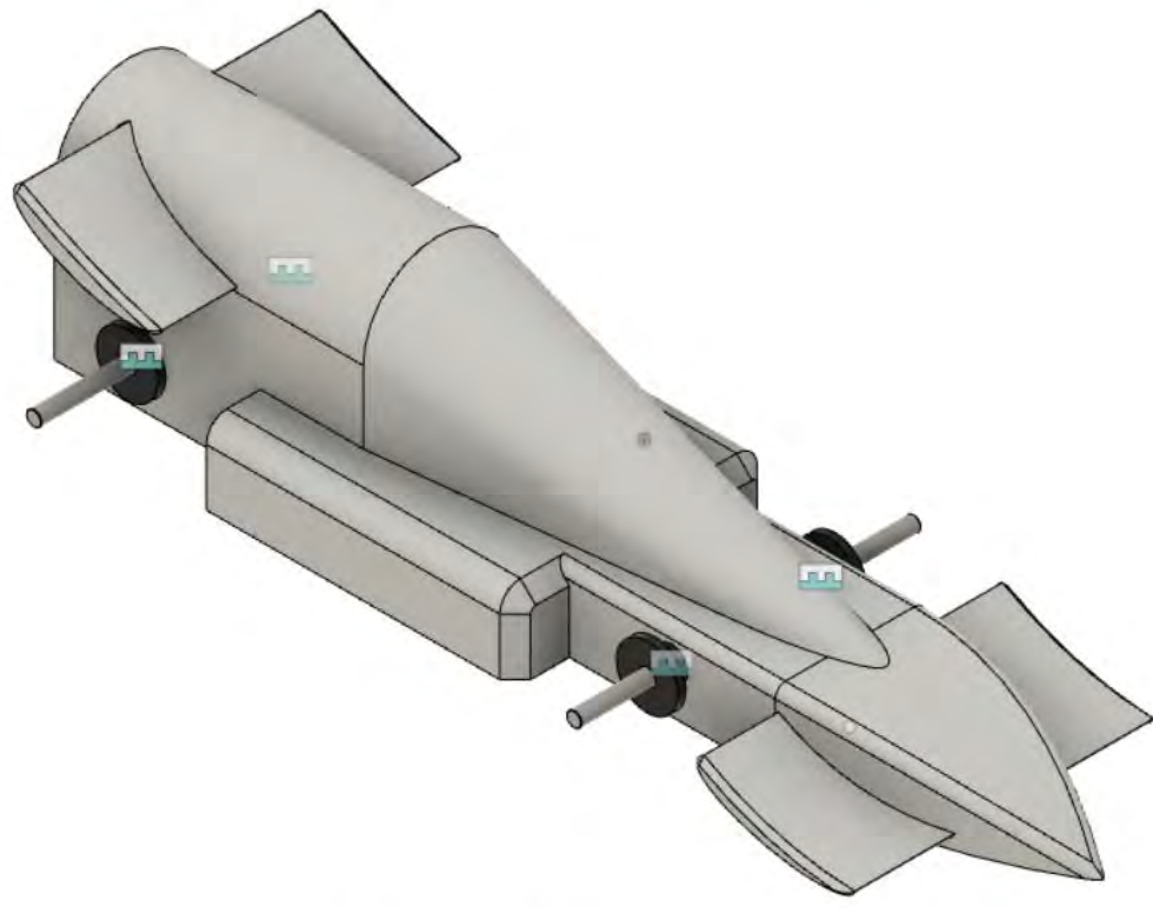
DESIGN ▾

SOLID SURFACE SHEET METAL TOOLS

CREATE ▾ MODIFY ▾ ASSEMBLE ▾ CONSTRUCT ▾ INSPECT ▾ INSERT ▾ SELECT ▾

BROWSER

- no\_go\_zone\_2019\_2020\_ent...
- Document Settings
- Named Views
  - Origin
    - O
    - X
    - Y
    - Z
    - XY
    - XZ
    - YZ
- Joints
- Bodies
- Sketches
- Construction
  - f1\_axle v1:1
  - f1\_axle v1:2
  - f1\_axle\_bush v1:2
  - f1\_axle\_bush v1:3
  - f1\_axle\_bush v1:4
  - f1\_axle\_bush v1:5



COMMENTS

Data People

Upload New Folder

WEBSITE

- f1\_axle 10:44:44 AM V1
- f1\_axle\_bush 10:40:23 AM V1
  - Open
  - Insert into Current Design
  - New Drawing from Design
  - Share Public Link
  - Import New Version
  - Rename
  - Move
  - Copy
  - Delete
  - Add to Offline Cache
- f1\_wh 5/11/20 V1
- no\_gc 3/30/20 V2
- no\_gc 5/11/20 V11
- Quick Appearance 9:31:33 AM V1

SOLID SURFACE SHEET METAL TOOLS

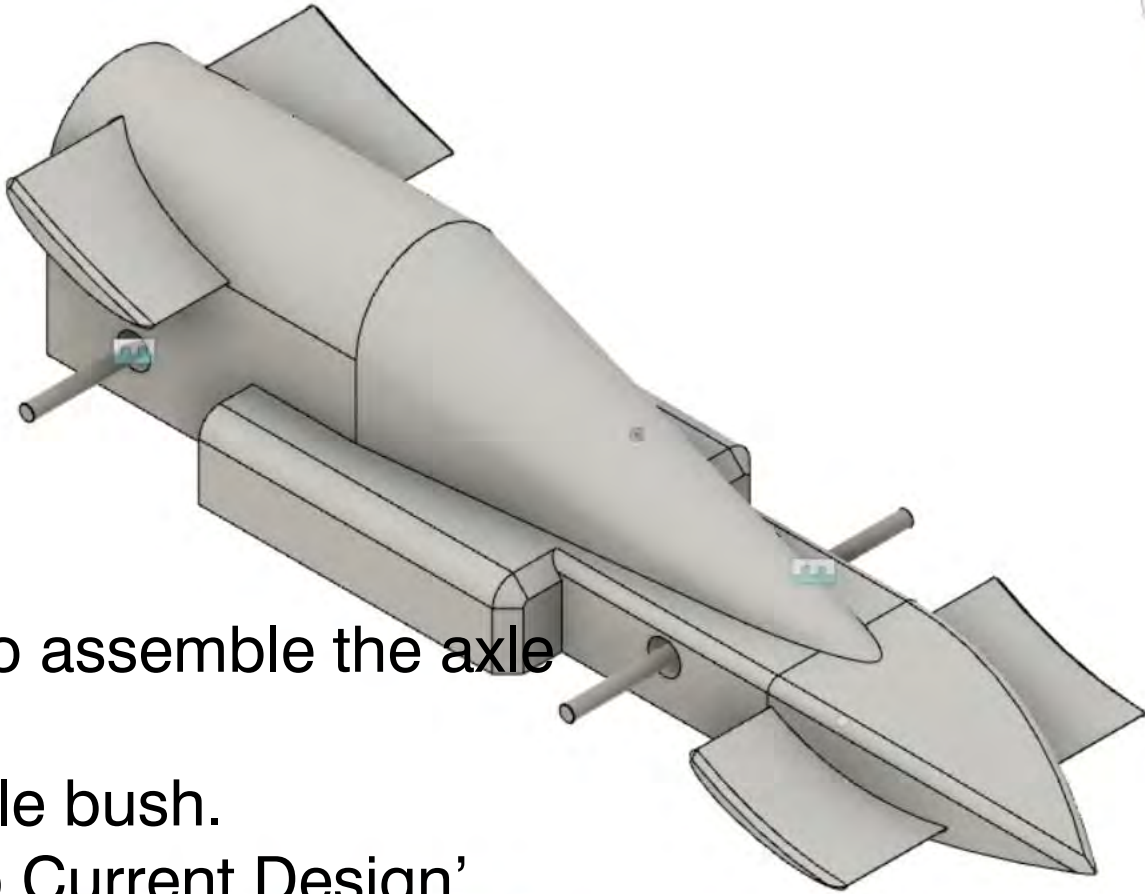
DESIGN

CREATE MODIFY ASSEMBLE CONSTRUCT INSPECT INSERT SELECT

BROWSER

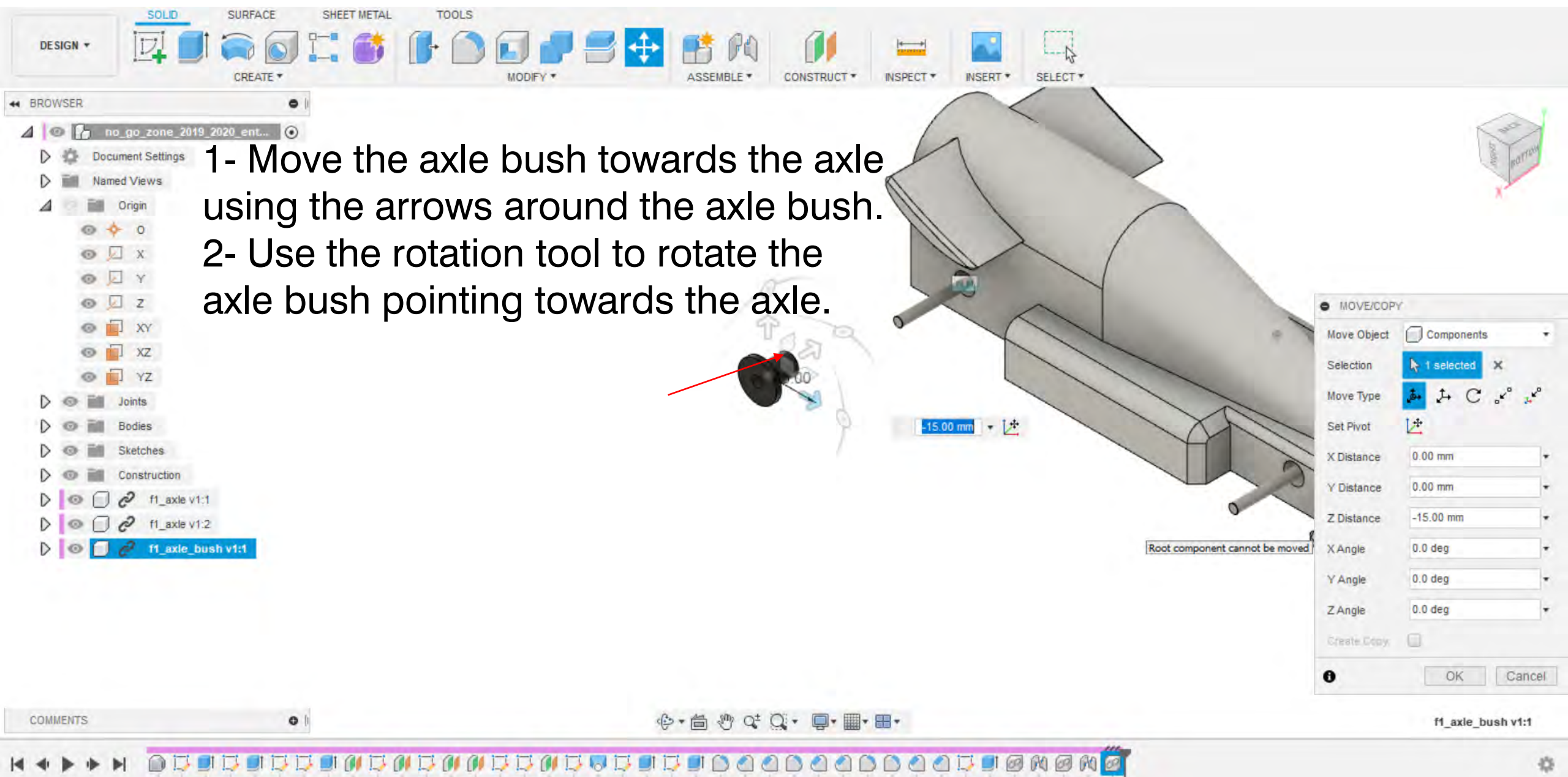
- no\_go\_zone\_2019\_2020\_ent...
- Document Settings
- Named Views
- Origin
  - O
  - X
  - Y
  - Z
  - XY
  - XZ
  - YZ
- Joints
- Bodies
- Sketches
- Construction
- f1\_axle v1:1
- f1\_axle v1:2

COMMENTS



You are now going to assemble the axle bushes.

1. Right click the axle bush.
2. Select 'Insert into Current Design'



- 1- Move the axle bush towards the axle using the arrows around the axle bush.
- 2- Use the rotation tool to rotate the axle bush pointing towards the axle.

**MOVE/COPY**

Move Object:  Components

Selection: **1 selected** X

Move Type:

Set Pivot:

X Distance: 0.00 mm

Y Distance: 0.00 mm

Z Distance: -15.00 mm

X Angle: 0.0 deg

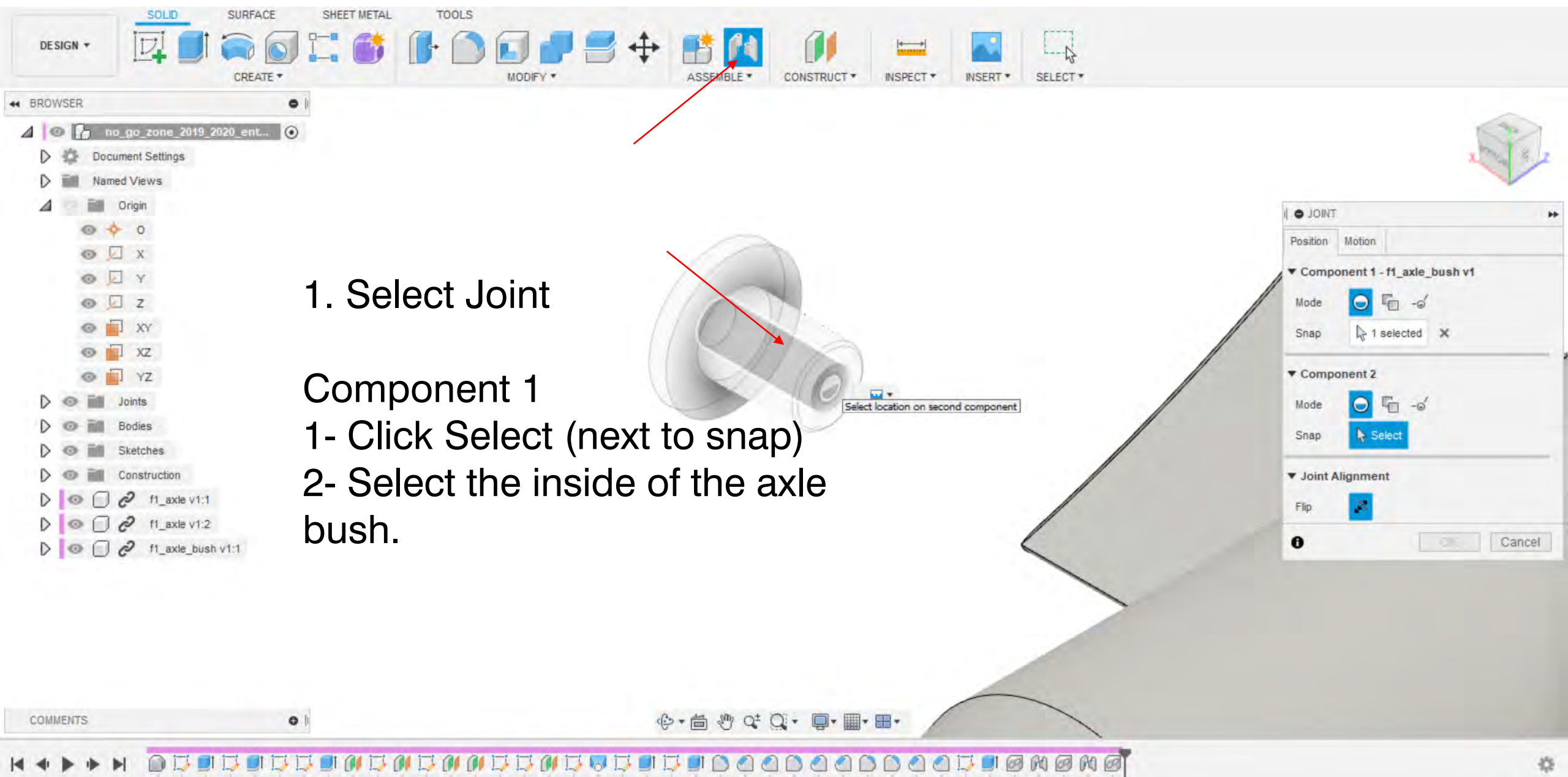
Y Angle: 0.0 deg

Z Angle: 0.0 deg

Create Copy:

OK Cancel

f1\_axle\_bush v1:1

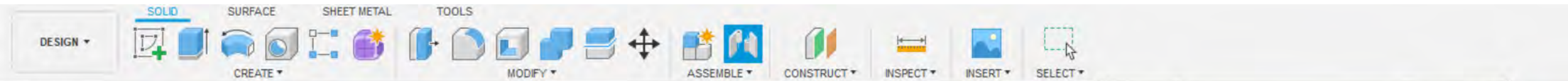


# 1. Select Joint

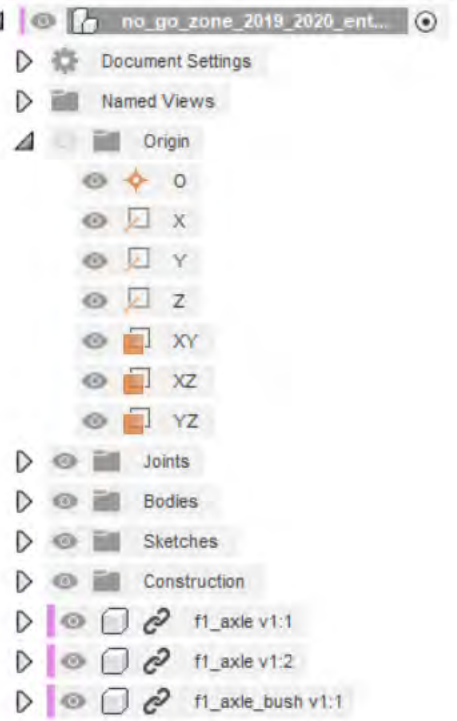
## Component 1

1- Click Select (next to snap)

2- Select the inside of the axle bush.



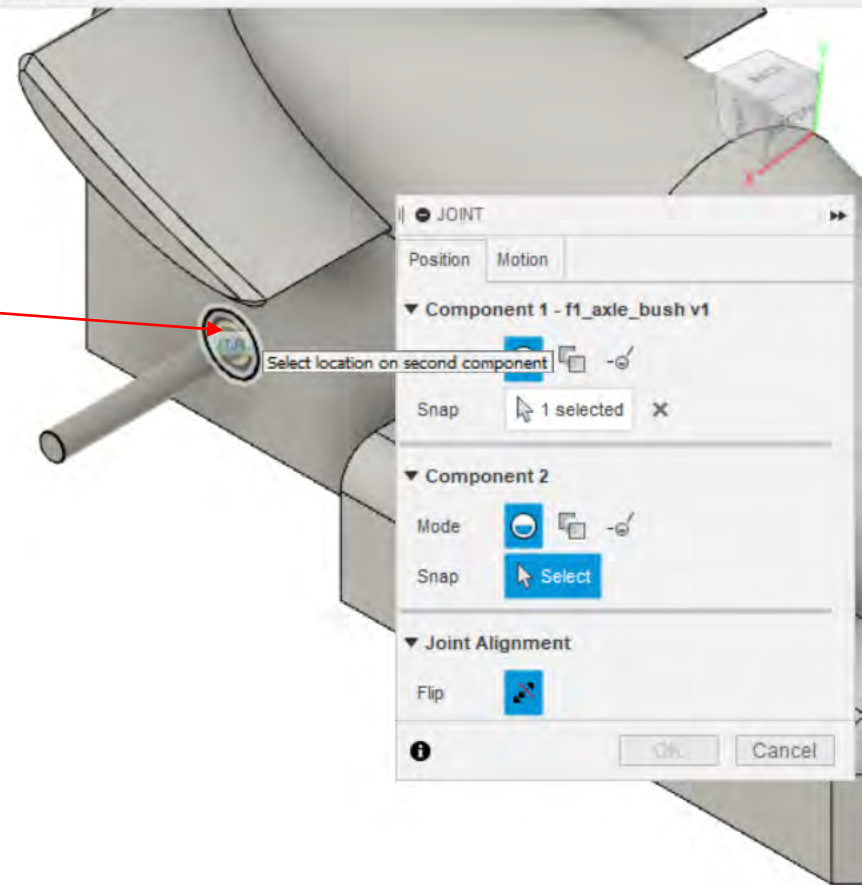
BROWSER



## Component 2

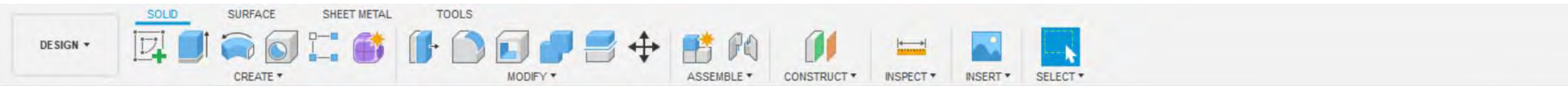
- 1- Click Select (next to snap)
- 2- Select the outside of the axle hole.

Click OK when finished.



COMMENTS



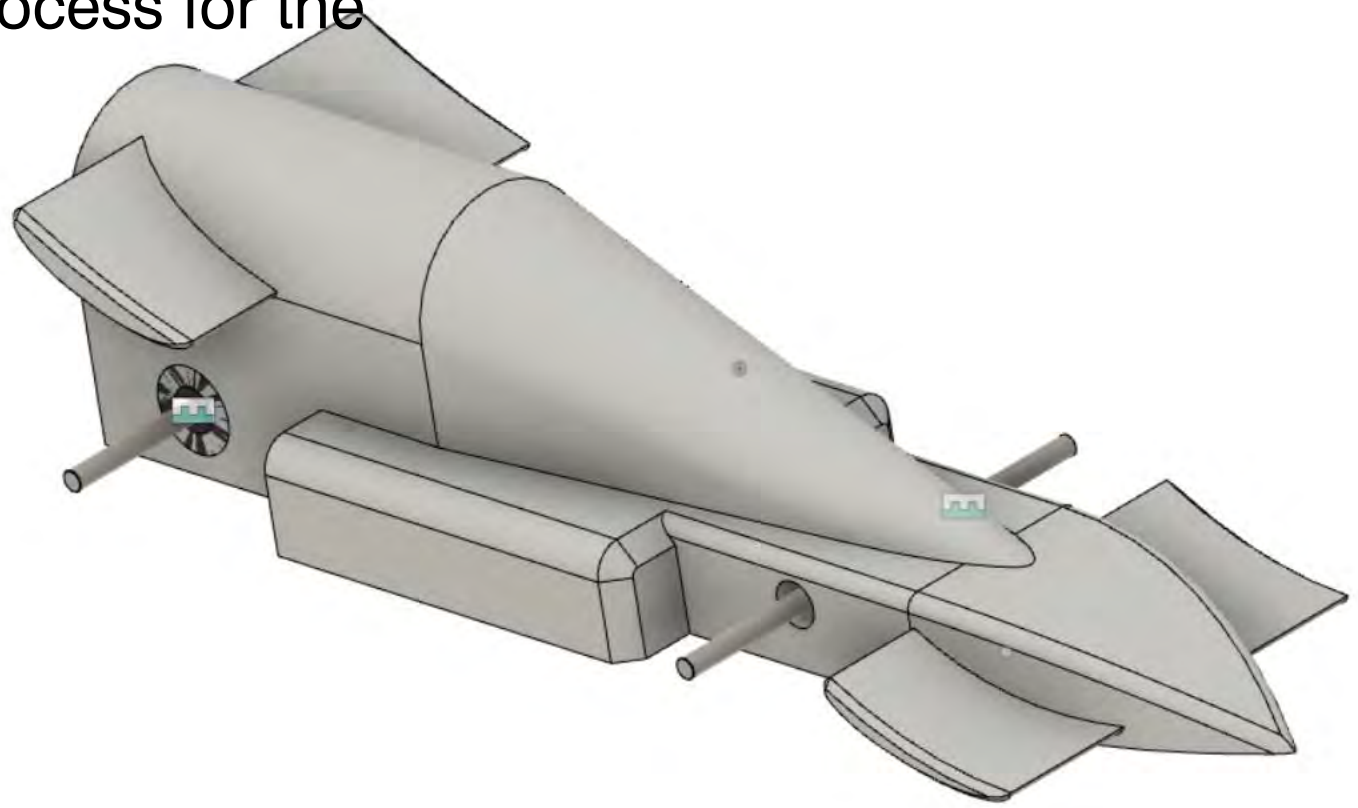


BROWSER

no\_go\_zone\_2019\_2020\_ent...

Now repeat for the process for the other axle bushes.

- Document Settings
- Named Views
- Origin
  - O
  - X
  - Y
  - Z
  - XY
  - XZ
  - YZ
- Joints
- Bodies
- Sketches
- Construction
- f1\_axle v1:1
- f1\_axle v1:2
- f1\_axle\_bush v1:1



COMMENTS



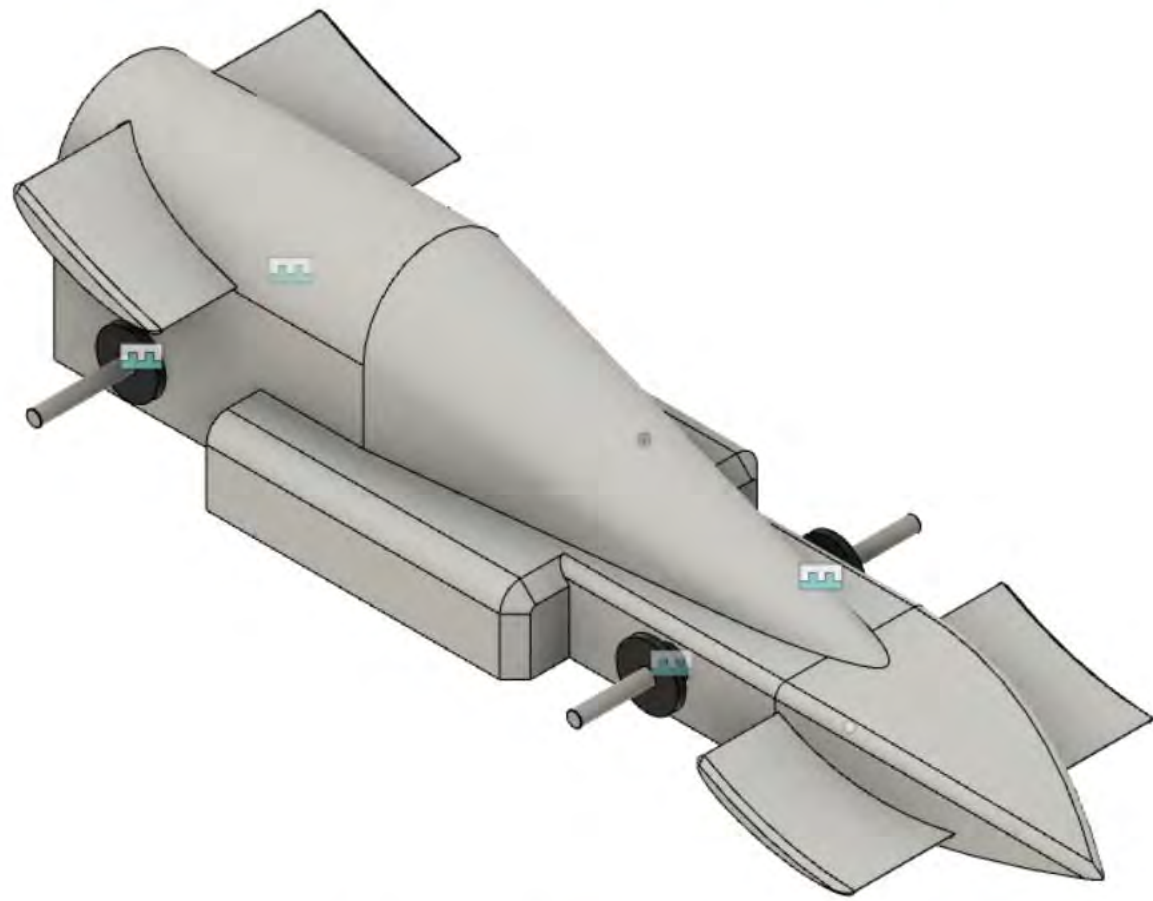
DESIGN ▾

SOLID SURFACE SHEET METAL TOOLS

CREATE ▾ MODIFY ▾ ASSEMBLE ▾ CONSTRUCT ▾ INSPECT ▾ INSERT ▾ SELECT ▾

BROWSER

- no\_go\_zone\_2019\_2020\_ent...
- Document Settings
- Named Views
  - Origin
    - O
    - X
    - Y
    - Z
    - XY
    - XZ
    - YZ
- Joints
- Bodies
- Sketches
- Construction
  - f1\_axle v1:1
  - f1\_axle v1:2
  - f1\_axle\_bush v1:2
  - f1\_axle\_bush v1:3
  - f1\_axle\_bush v1:4
  - f1\_axle\_bush v1:5



COMMENTS

Navigation and view control icons: pan, rotate, zoom, and view toggles.

Bottom status bar with navigation and tool icons.