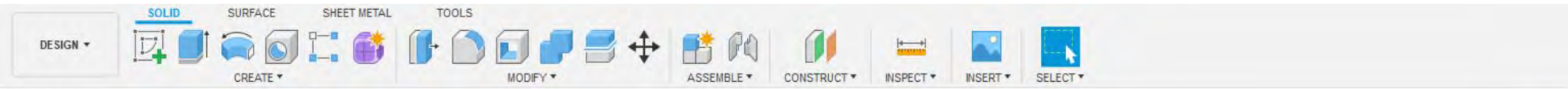


Activity 7

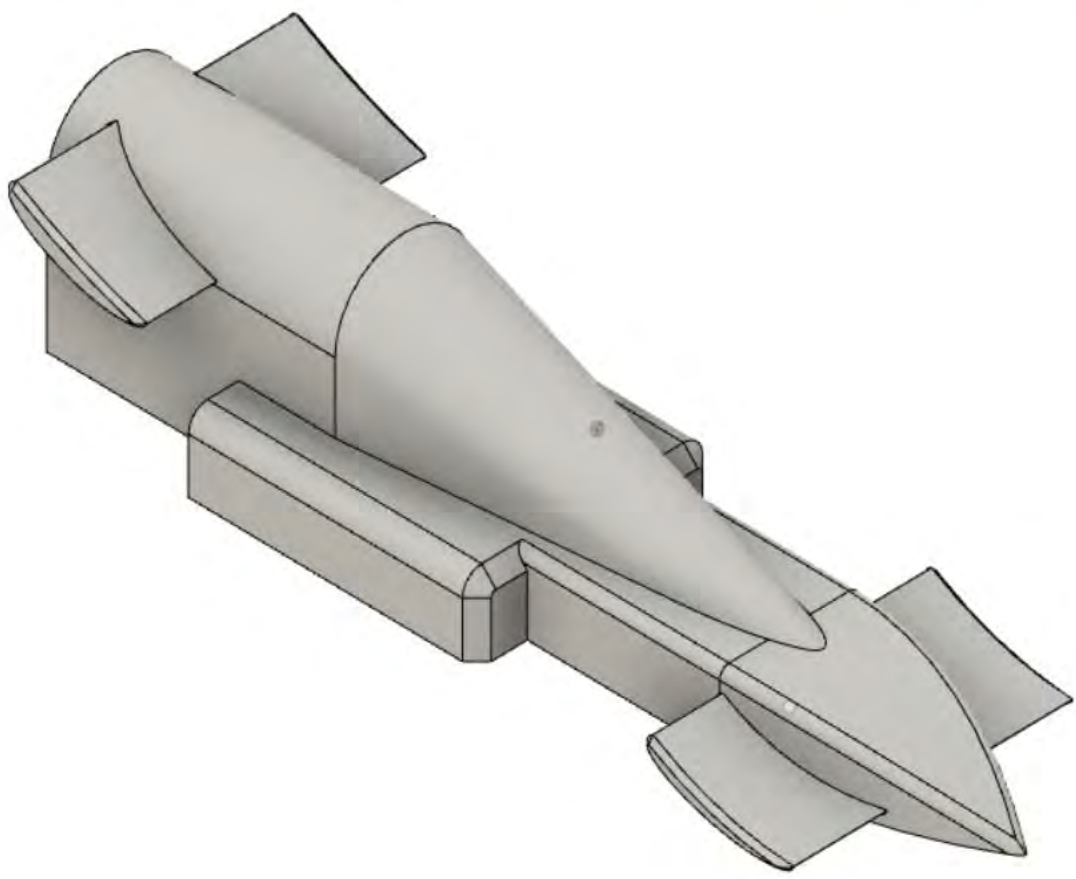
Creating wheels and axles

PDF Guide

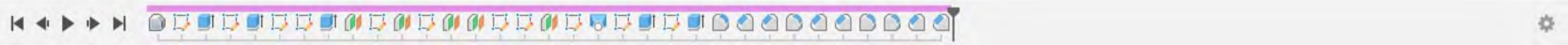
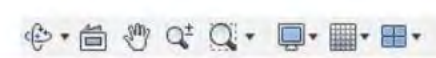


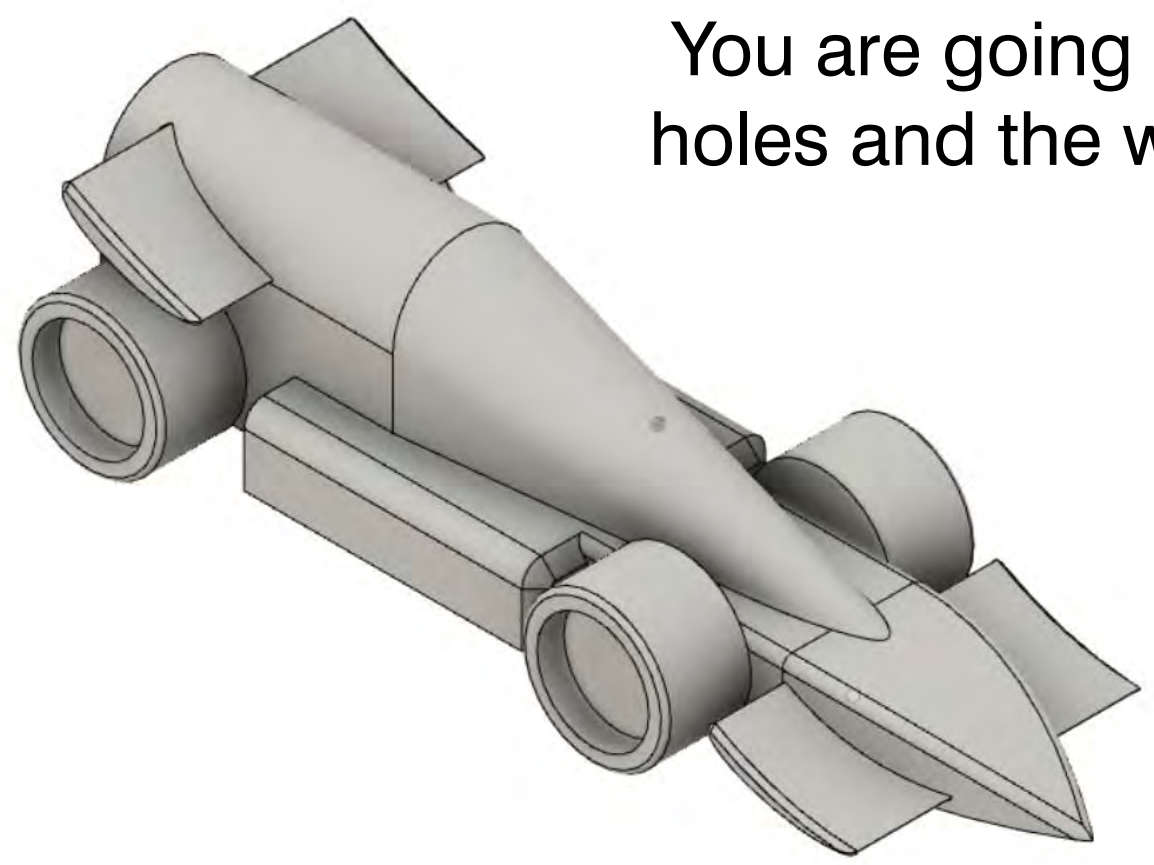
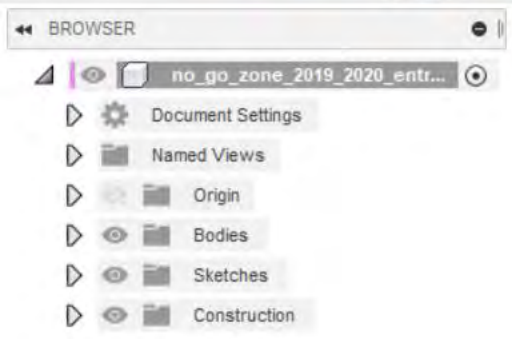
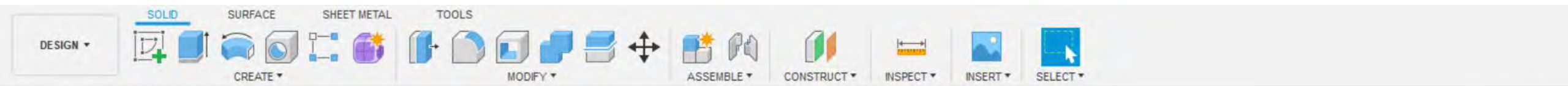
BROWSER

- no_go_zone_2019_2020_entr...
- Document Settings
- Named Views
- Origin
- Bodies
- Sketches
- Construction

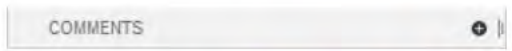


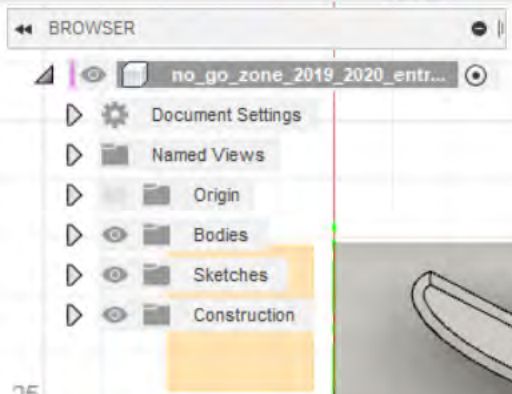
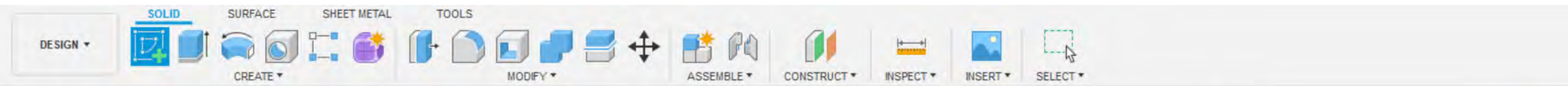
COMMENTS



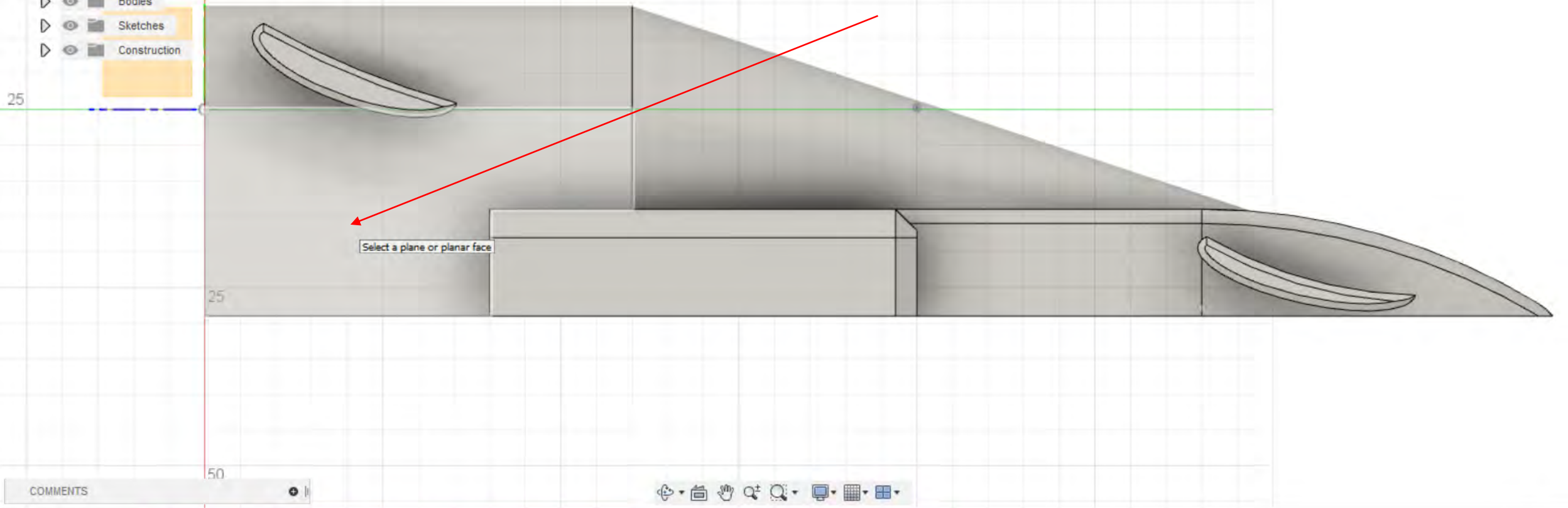


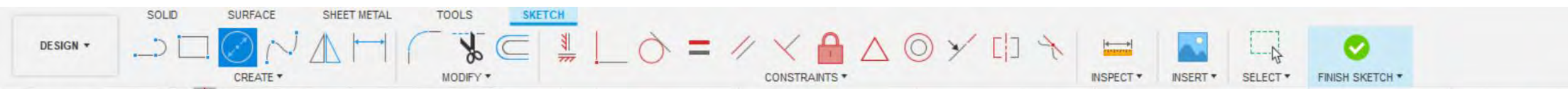
You are going to create the axle holes and the wheels to your car.





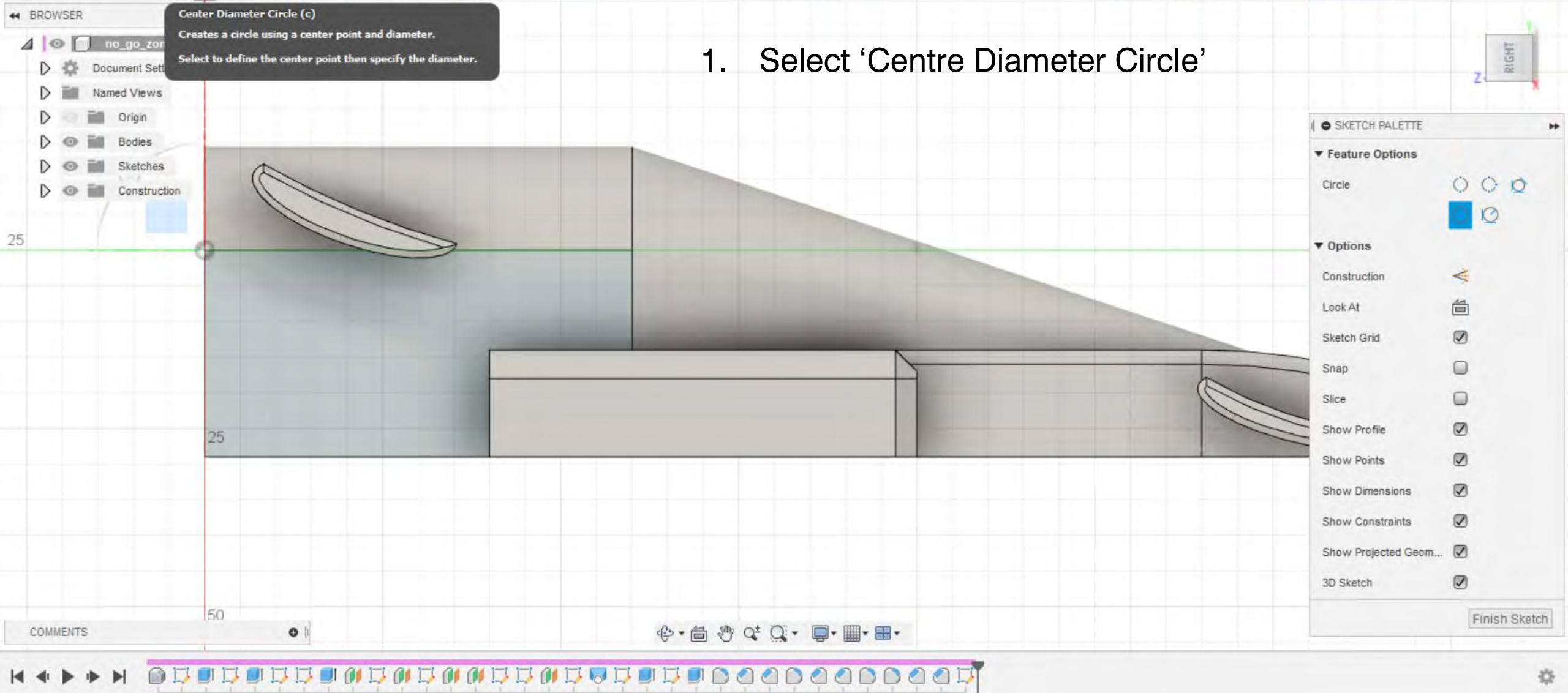
1. Click CREATE SKETCH
2. Select the back area of the car.

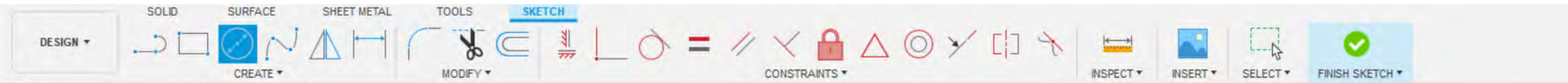




Center Diameter Circle (c)
Creates a circle using a center point and diameter.
Select to define the center point then specify the diameter.

1. Select 'Centre Diameter Circle'

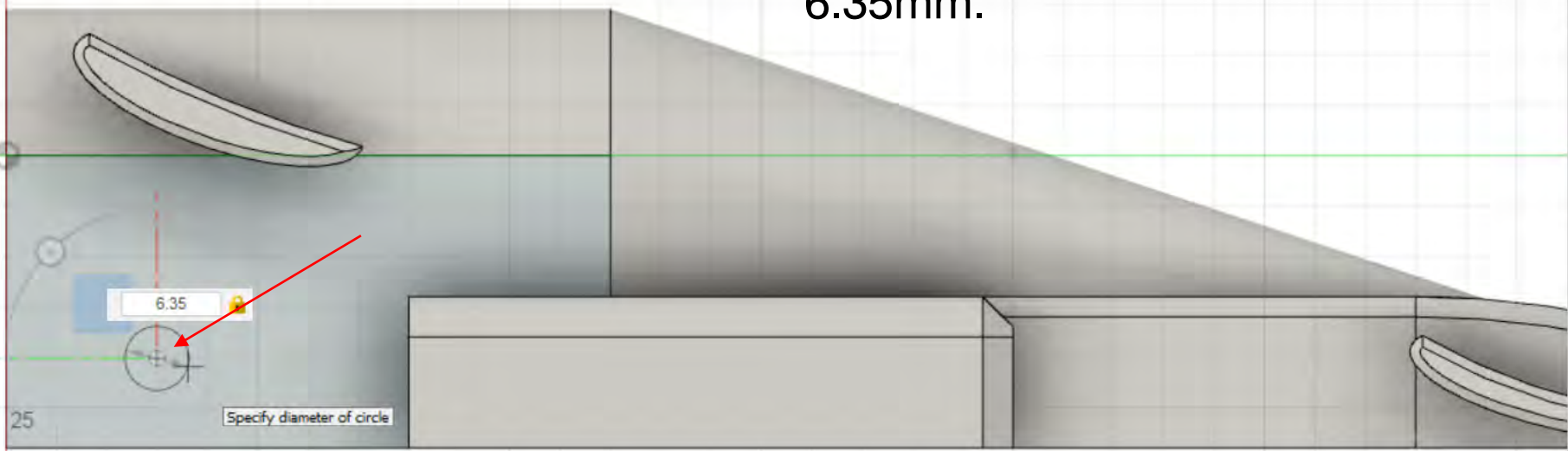




BROWSER

- no_go_zone_2019_2020_entr...
- Document Settings
- Named Views
- Origin
- Bodies
- Sketches
- Construction

1. Create a circle with a diameter of 6.35mm.



SKETCH PALETTE

Feature Options

- Circle

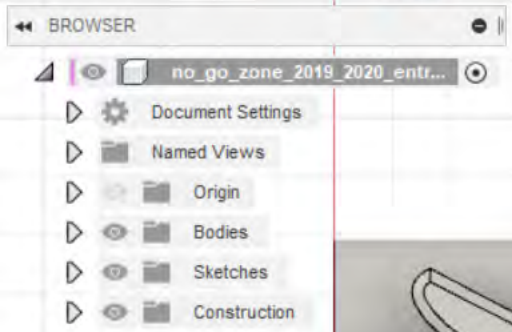
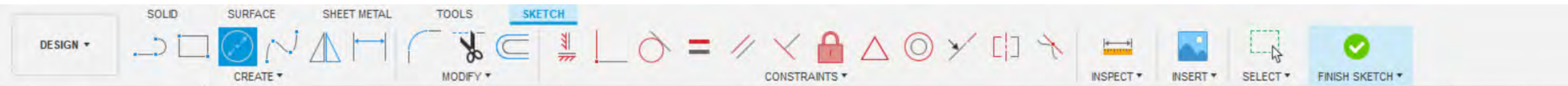
Options

- Construction
- Look At
- Sketch Grid
- Snap
- Slice
- Show Profile
- Show Points
- Show Dimensions
- Show Constraints
- Show Projected Geom...
- 3D Sketch

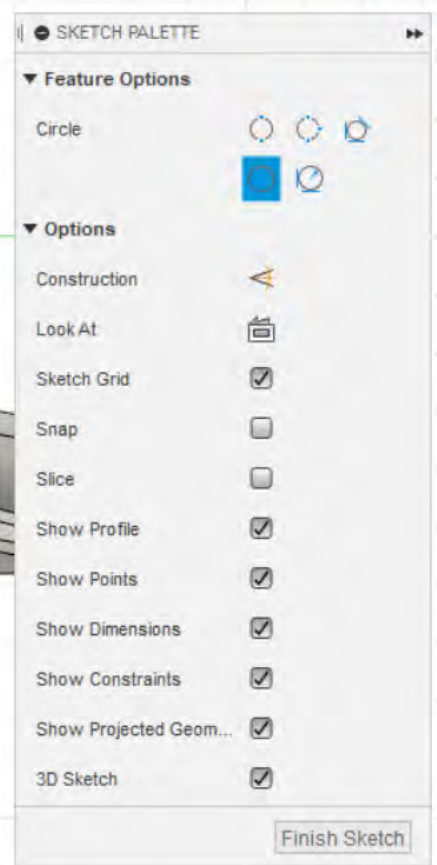
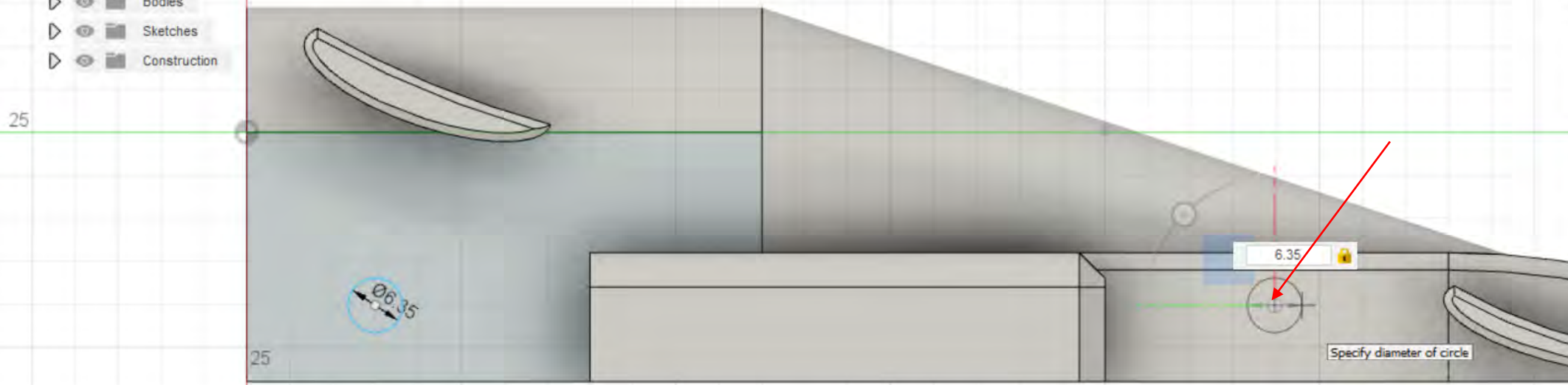
Finish Sketch

COMMENTS



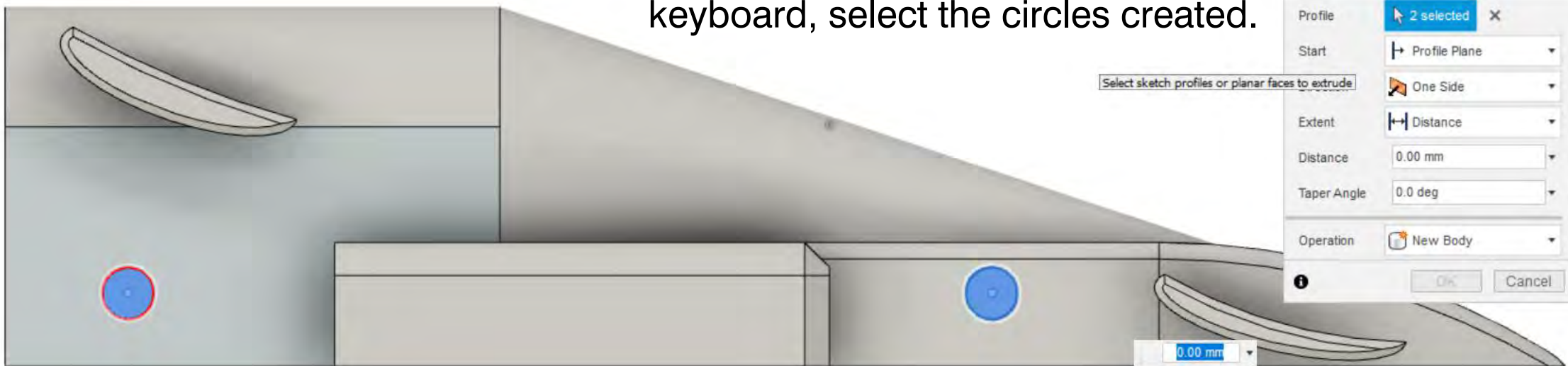
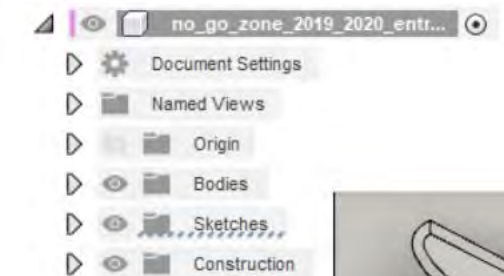


1. Repeat for the front of the car.





BROWSER



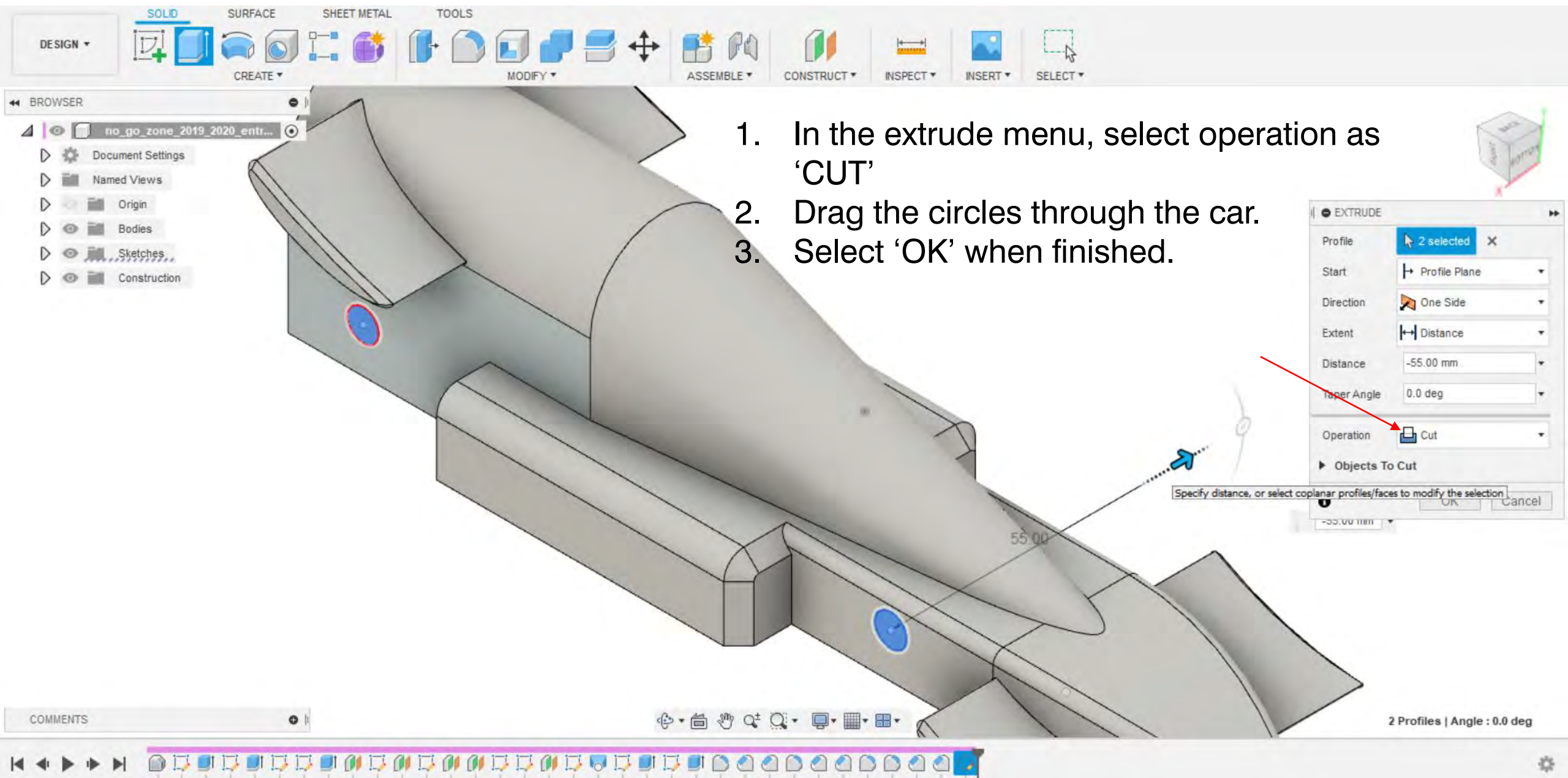
1. Click 'E' on your keyboard for the extrude tool.
2. Holding the CTRL button on your keyboard, select the circles created.

COMMENTS



2 Profiles | Angle : 0.0 deg



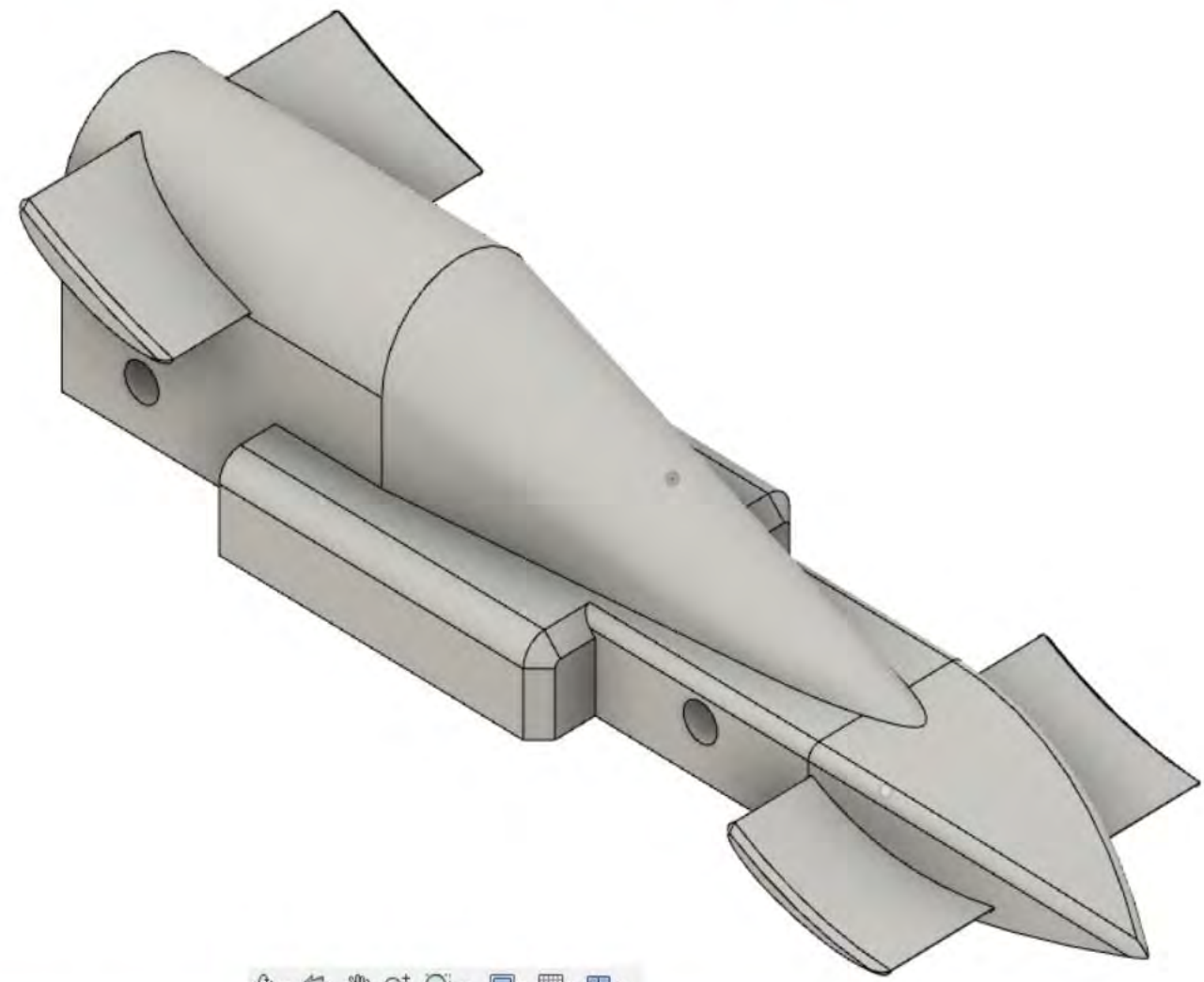


1. In the extrude menu, select operation as 'CUT'
2. Drag the circles through the car.
3. Select 'OK' when finished.



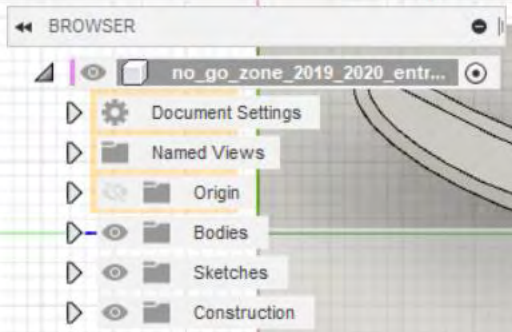
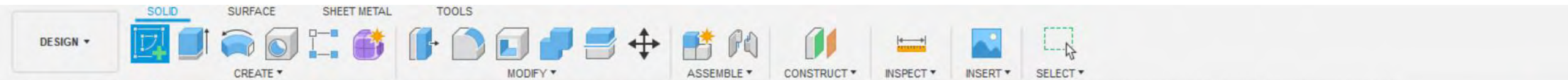
BROWSER

- no_go_zone_2019_2020_entr...
- Document Settings
- Named Views
- Origin
- Bodies
- Sketches
- Construction

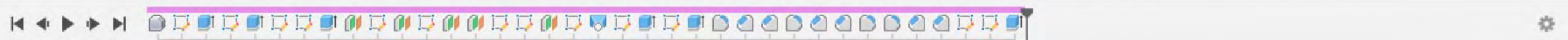
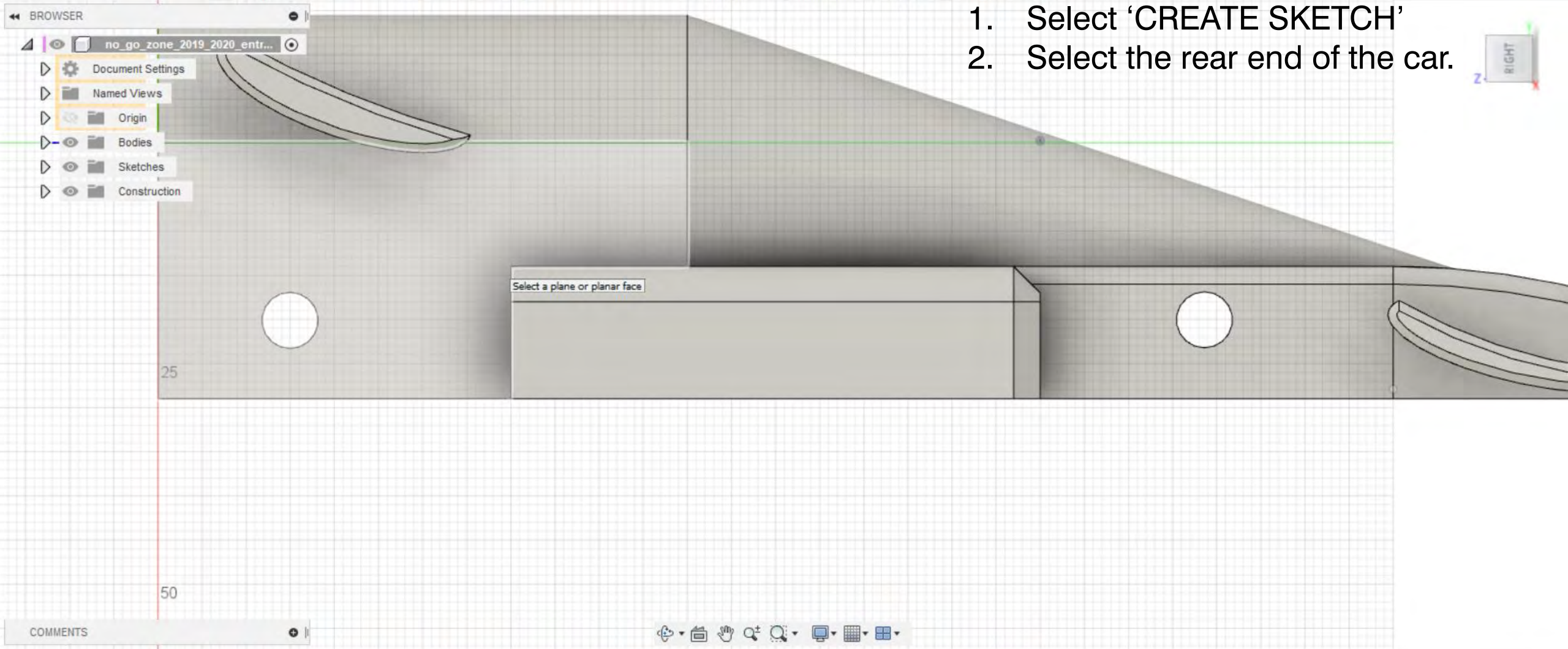


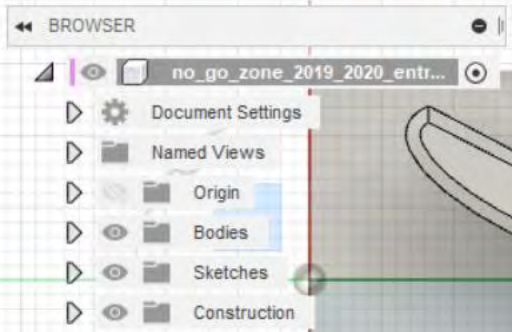
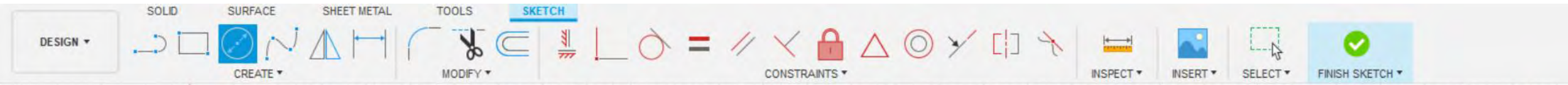
COMMENTS



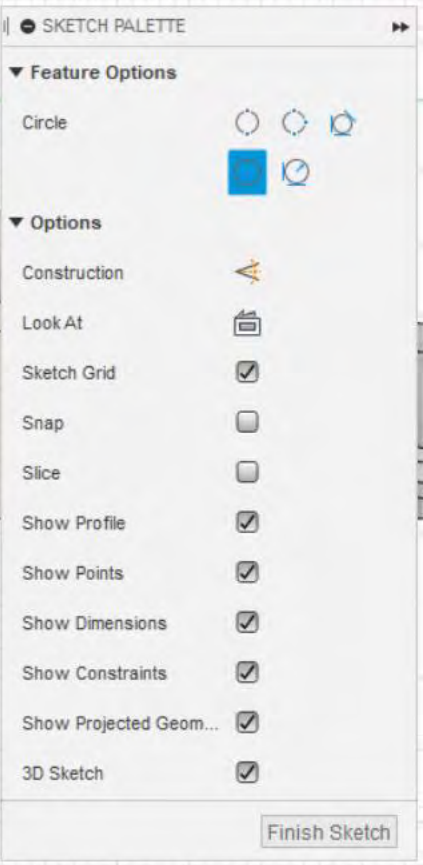
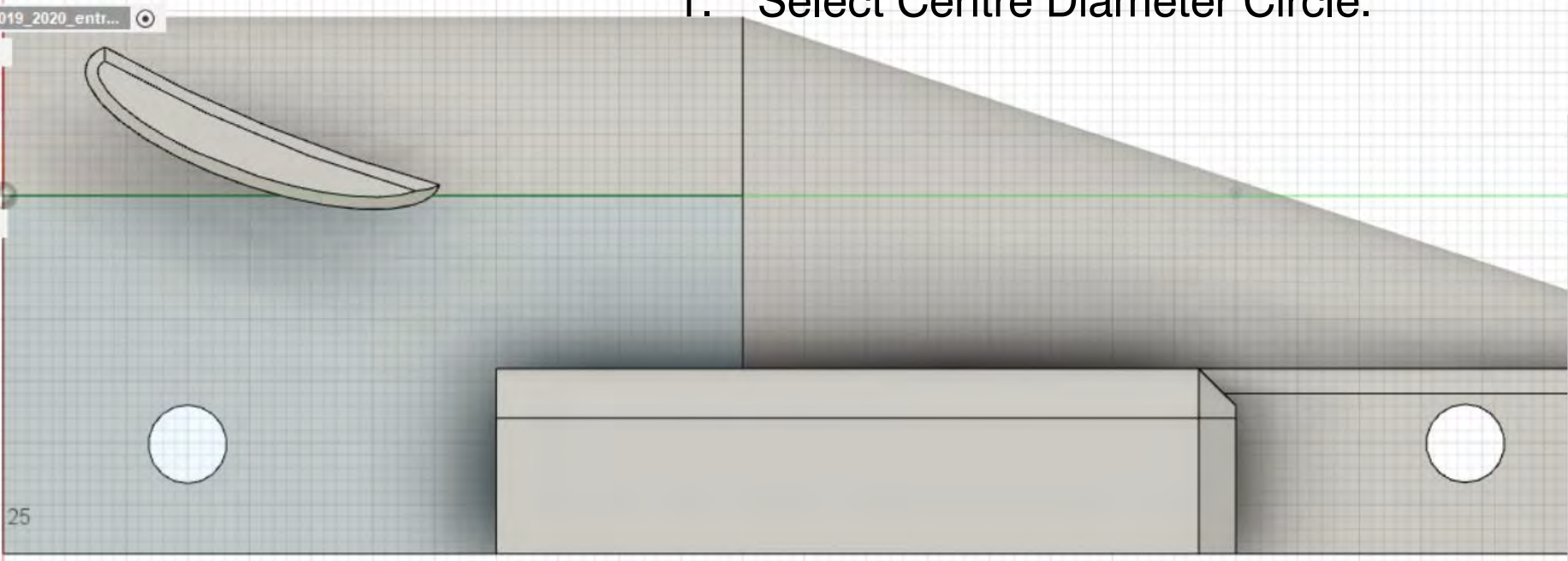


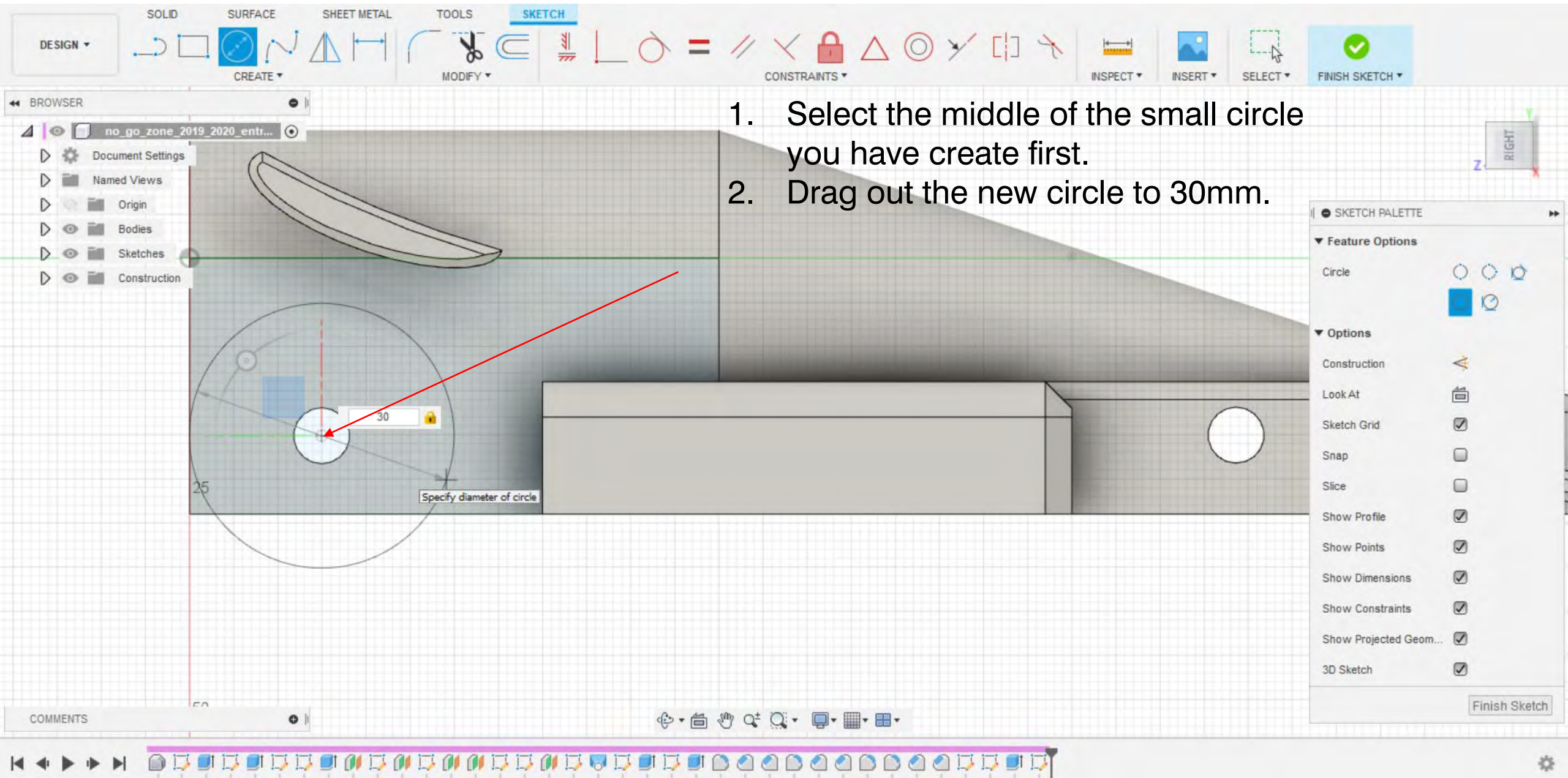
1. Select 'CREATE SKETCH'
2. Select the rear end of the car.



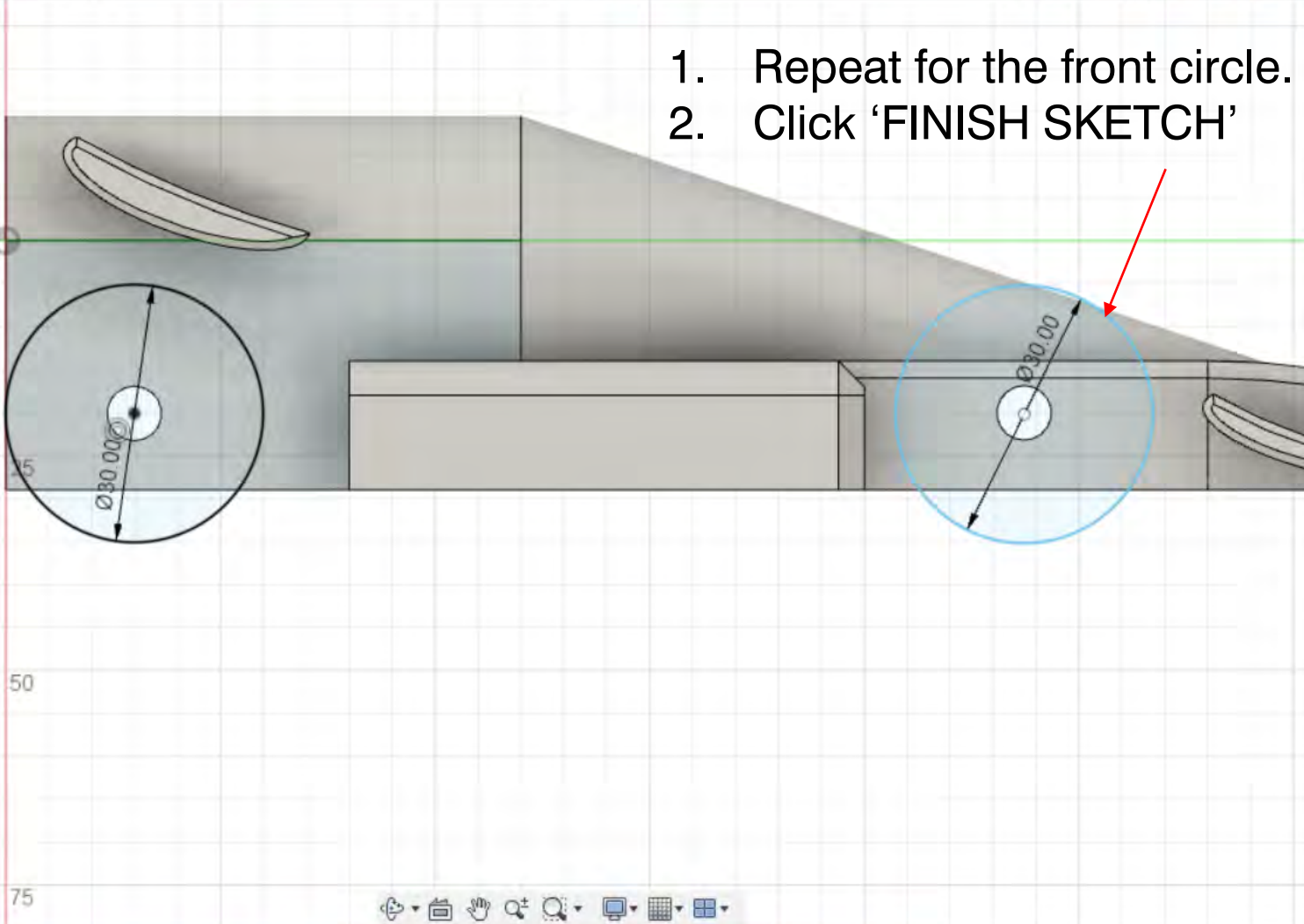
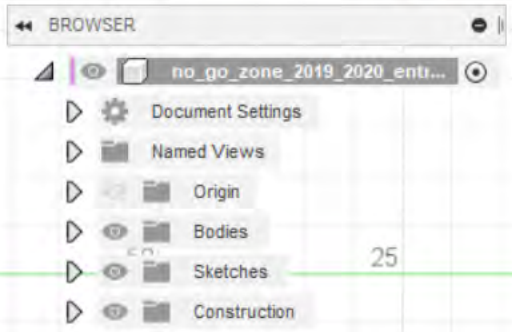
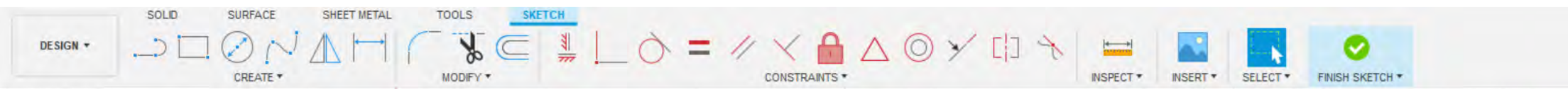


1. Select Centre Diameter Circle.

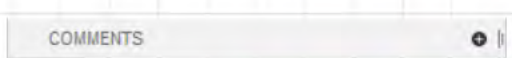
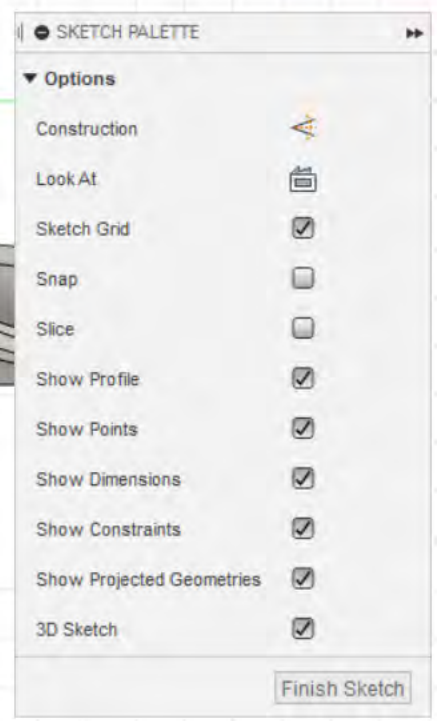


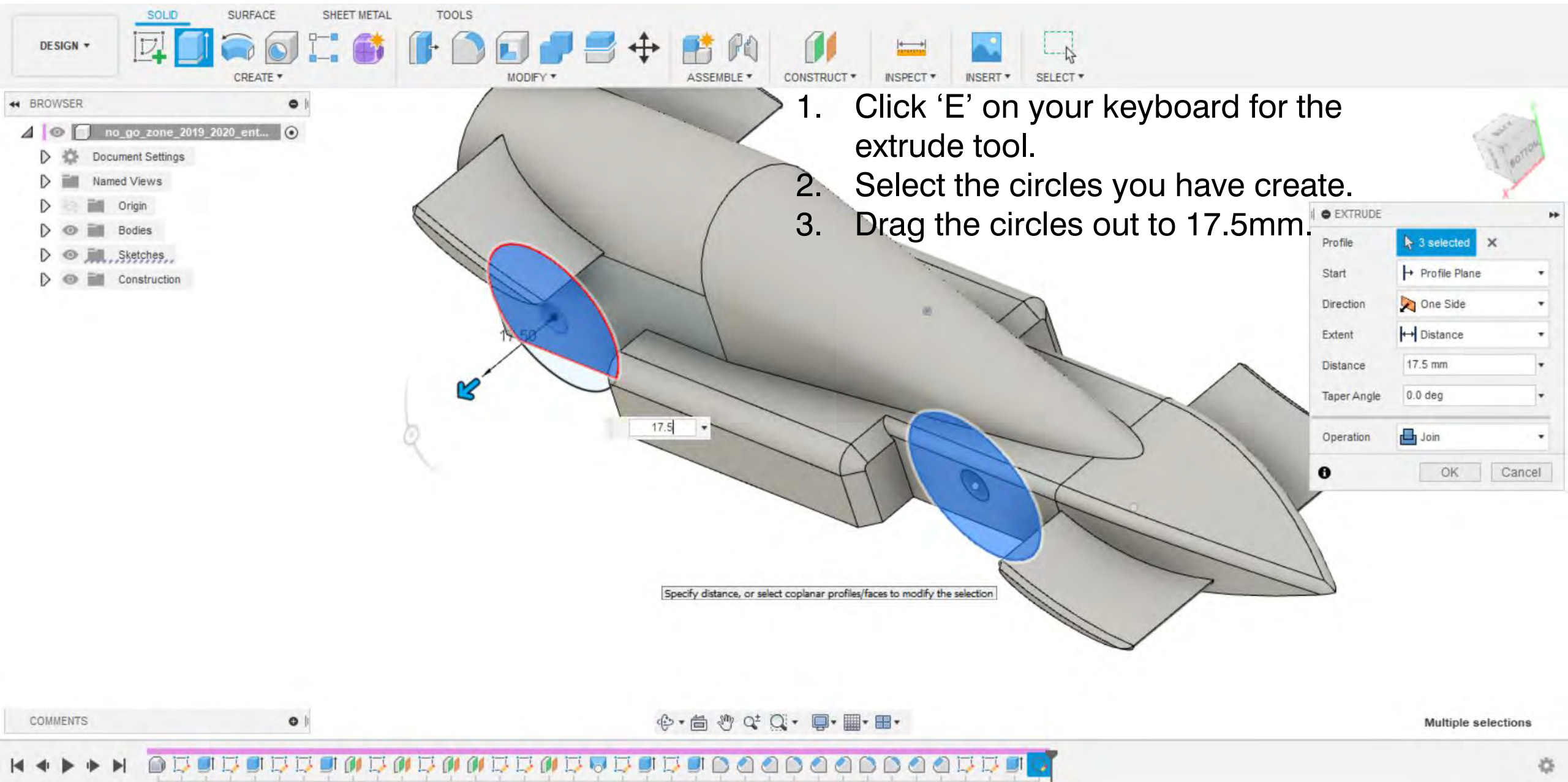


1. Select the middle of the small circle you have create first.
2. Drag out the new circle to 30mm.



1. Repeat for the front circle.
2. Click 'FINISH SKETCH'





1. Click 'E' on your keyboard for the extrude tool.
2. Select the circles you have create.
3. Drag the circles out to 17.5mm.

DESIGN ▾

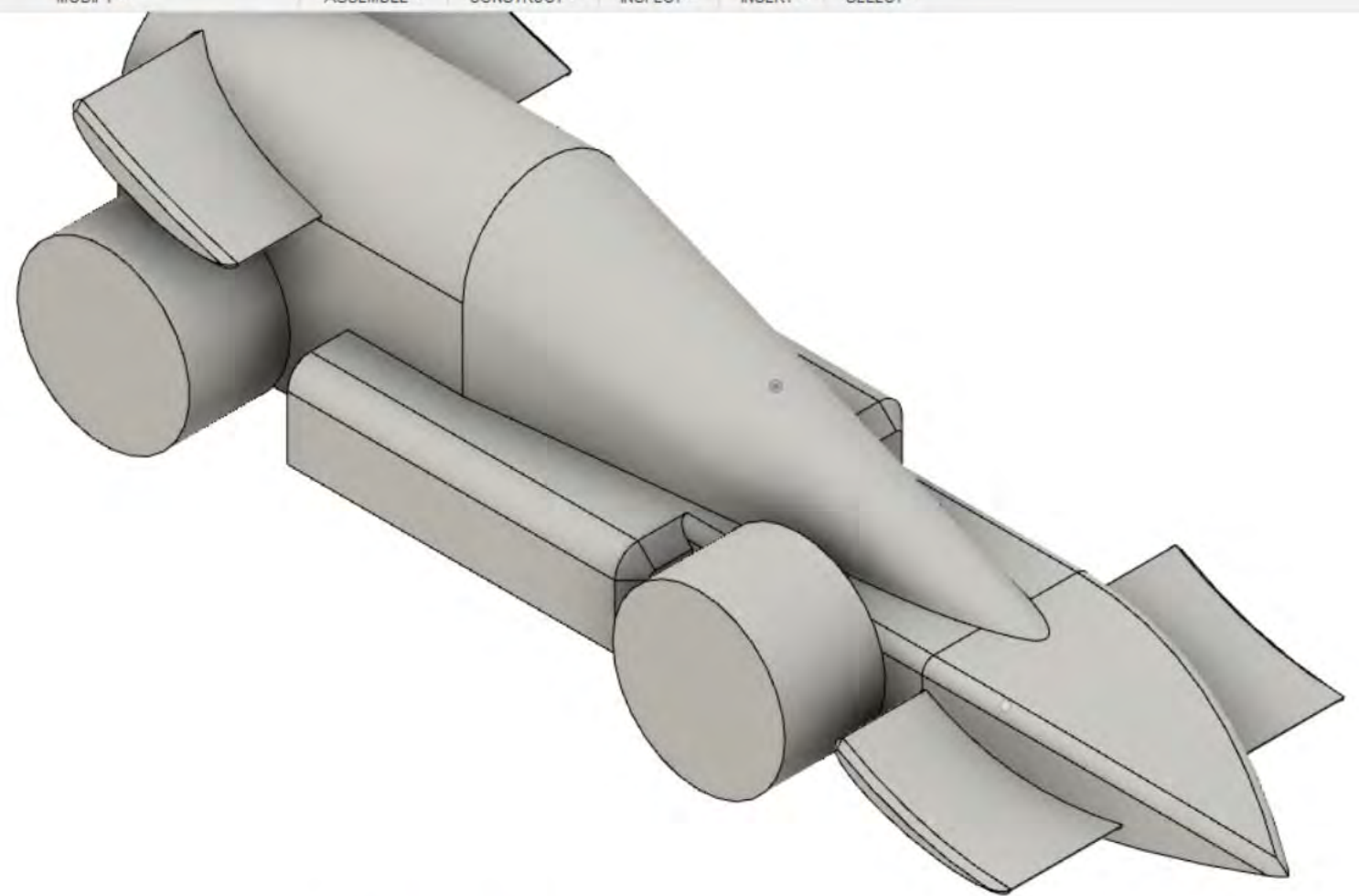
SOLID SURFACE SHEET METAL TOOLS

CREATE ▾ MODIFY ▾ ASSEMBLE ▾ CONSTRUCT ▾ INSPECT ▾ INSERT ▾ SELECT ▾

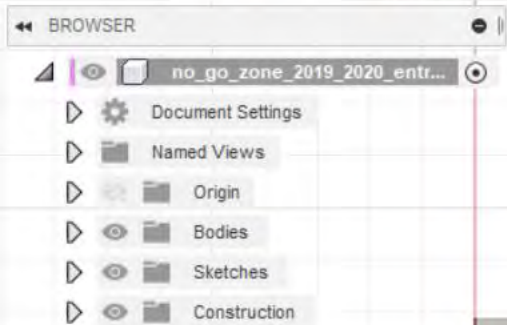
BROWSER

no_go_zone_2019_2020_entr...

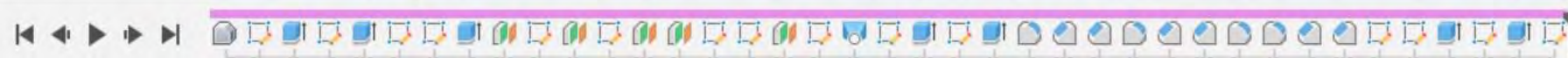
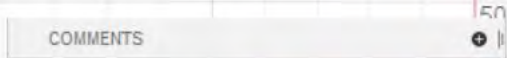
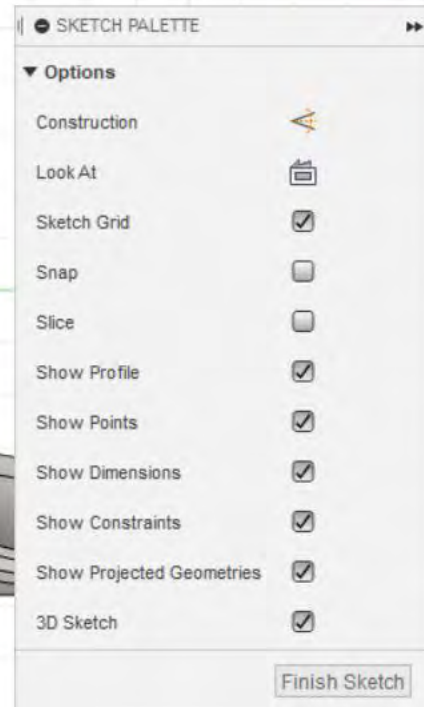
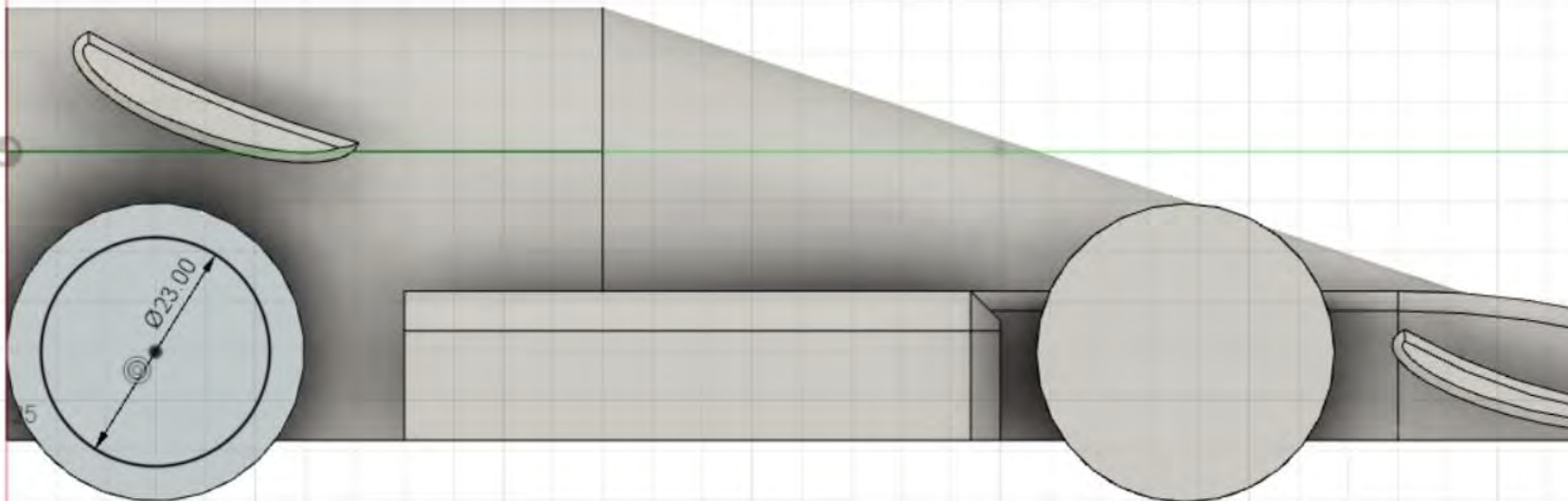
- Document Settings
- Named Views
- Origin
- Bodies
- Sketches
- Construction

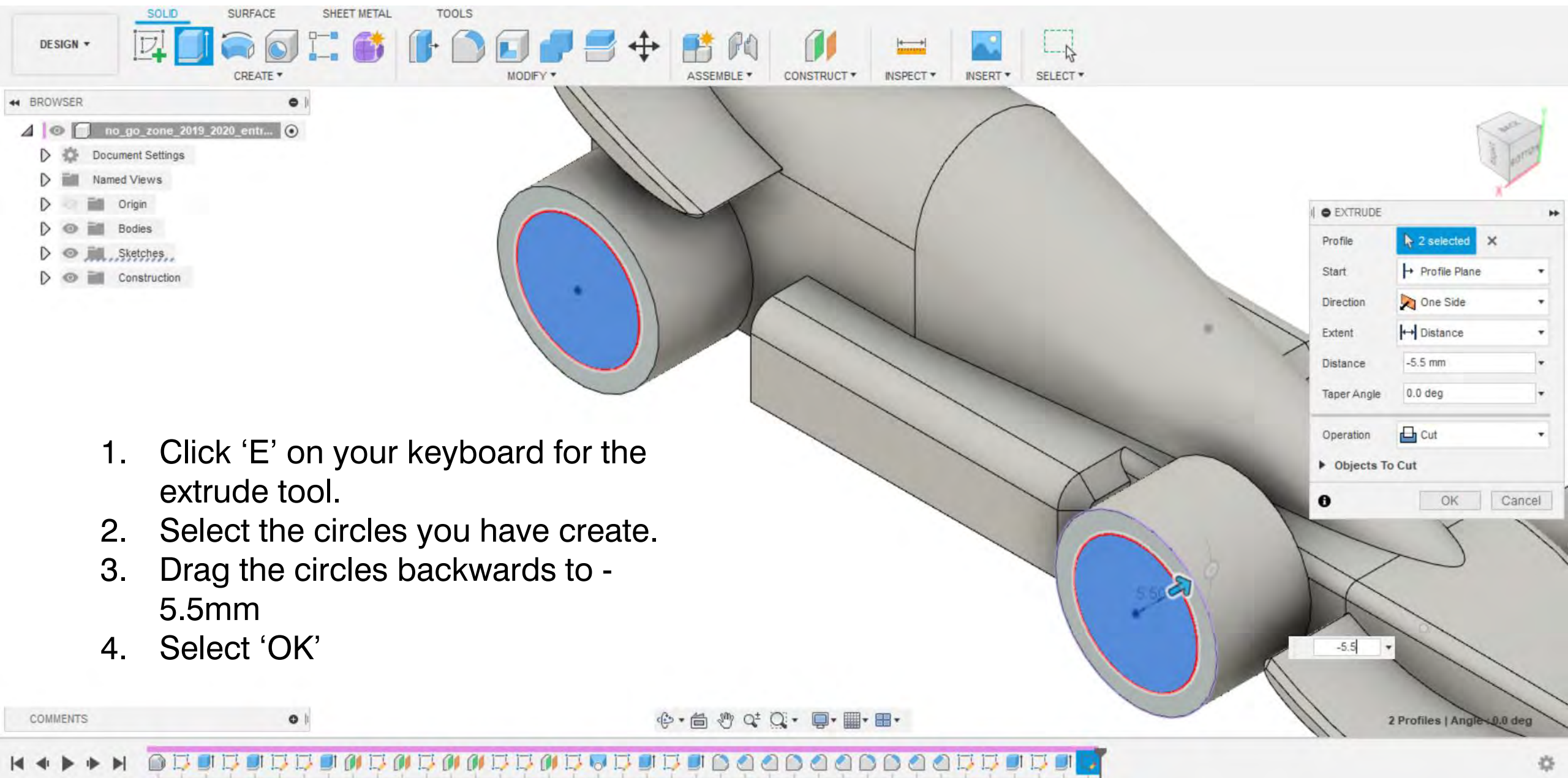


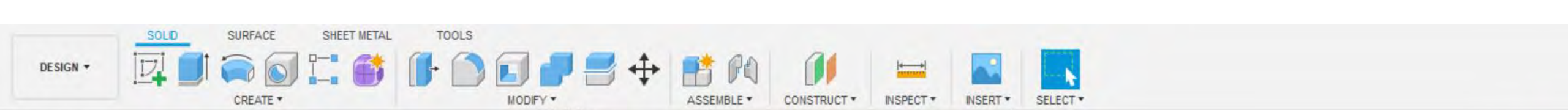
COMMENTS



1. Select 'CREATE SKETCH'
2. Select 'Centre Diameter Circle'
3. Create a circle in the middle of the wheel- 23mm

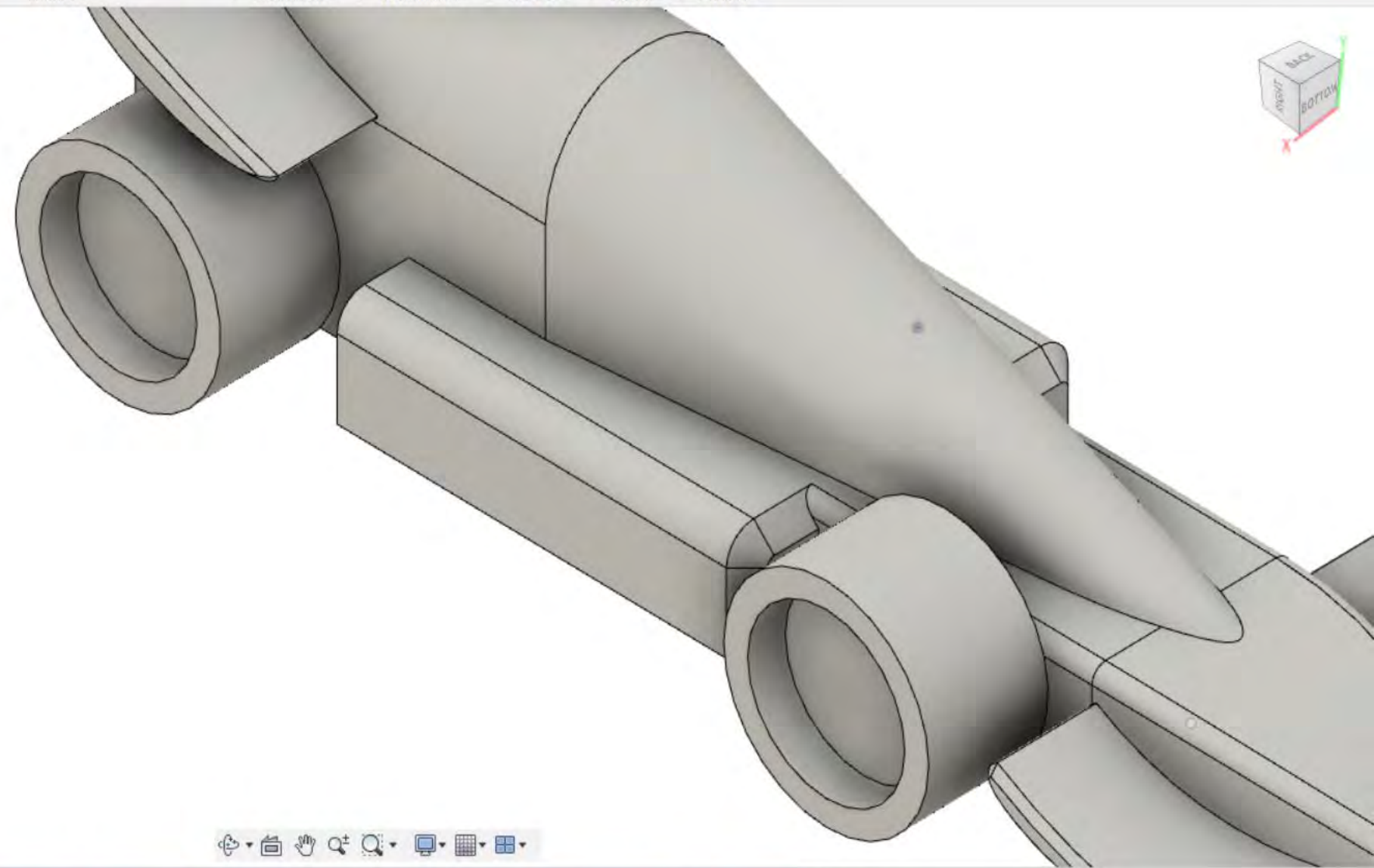




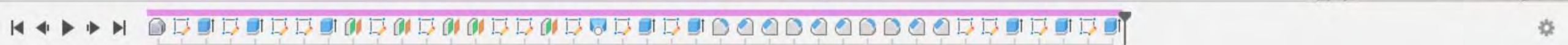


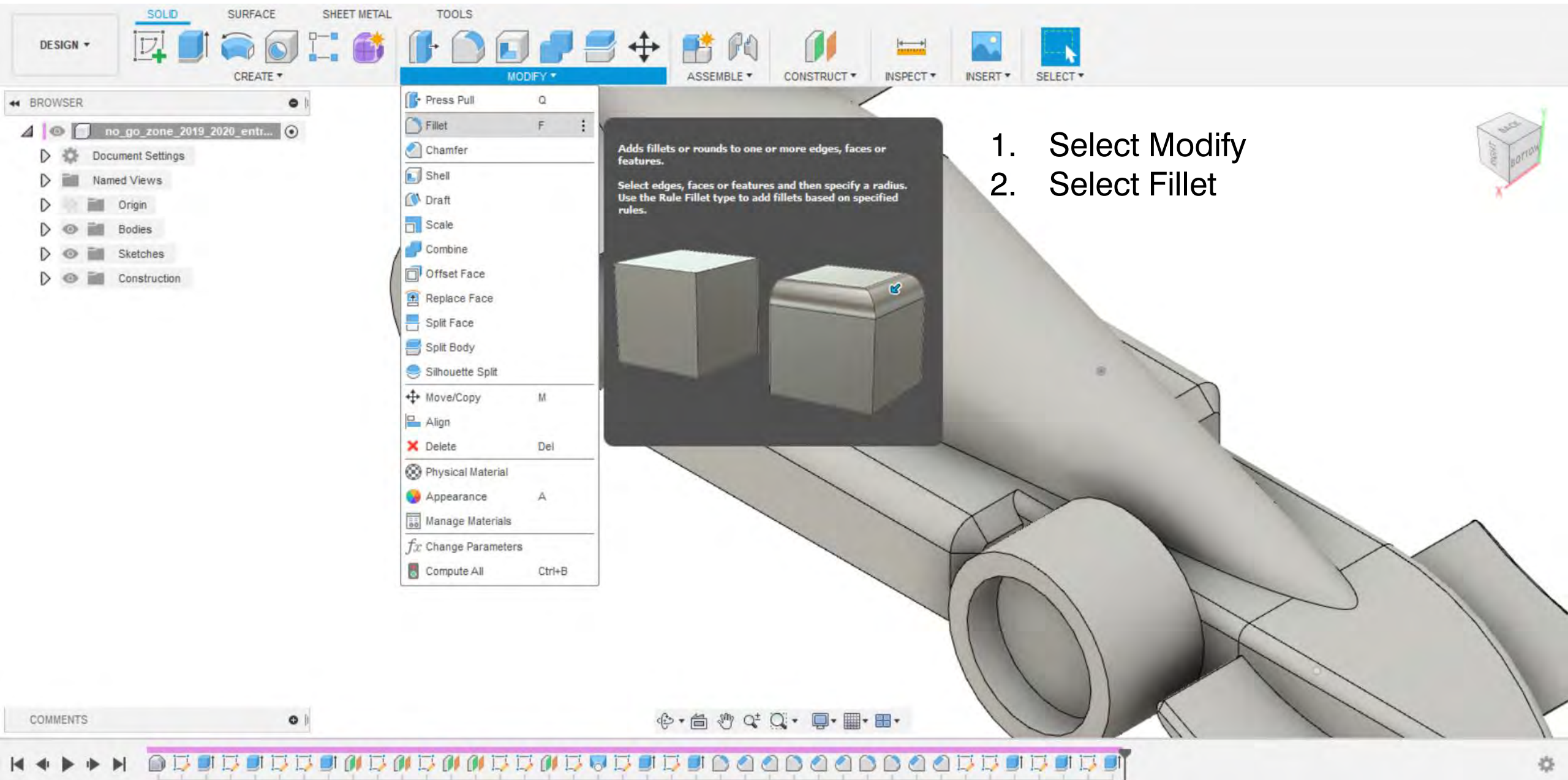
BROWSER

- no_go_zone_2019_2020_entr...
- Document Settings
- Named Views
- Origin
- Bodies
- Sketches
- Construction



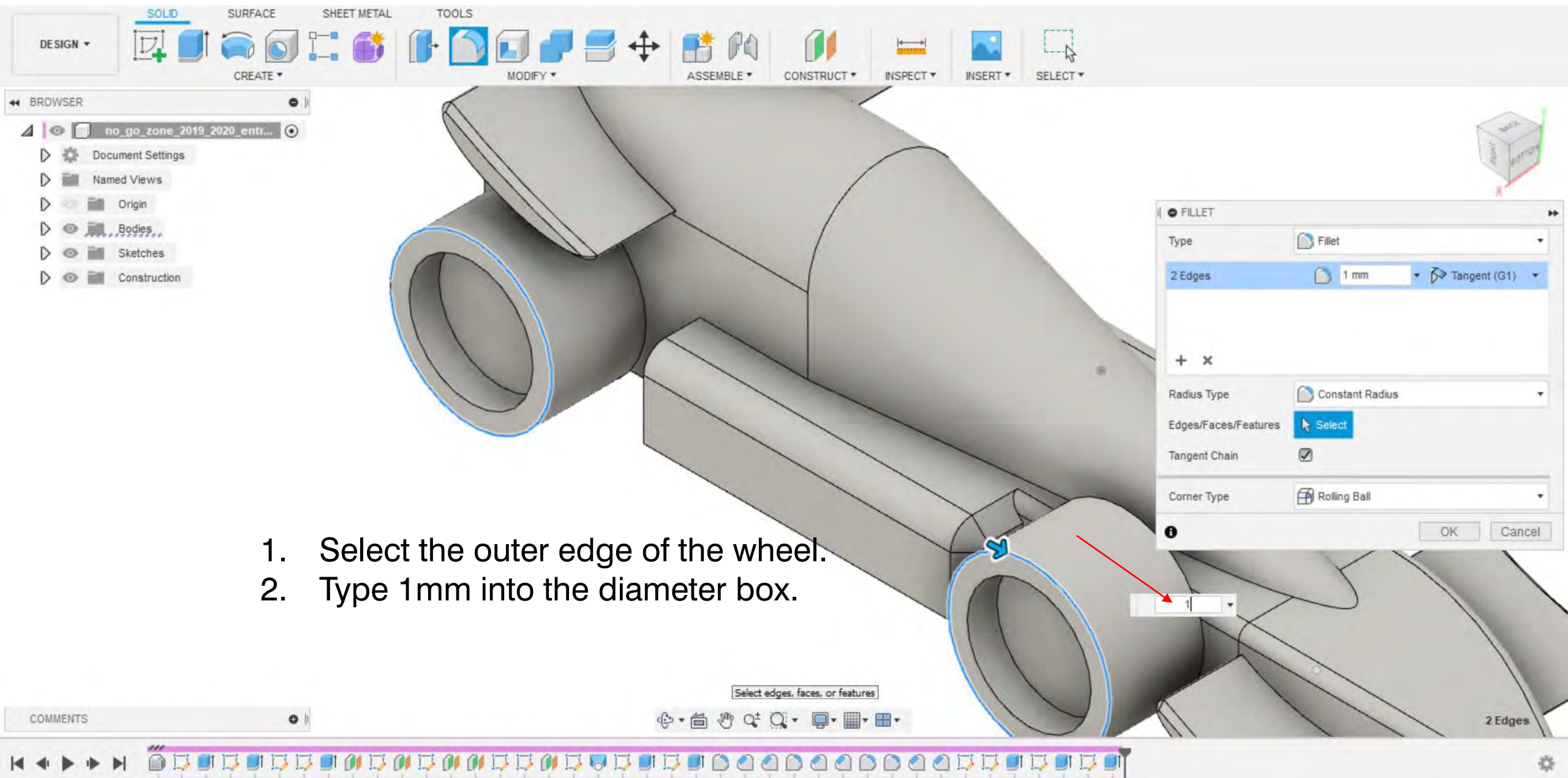
COMMENTS

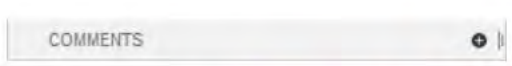
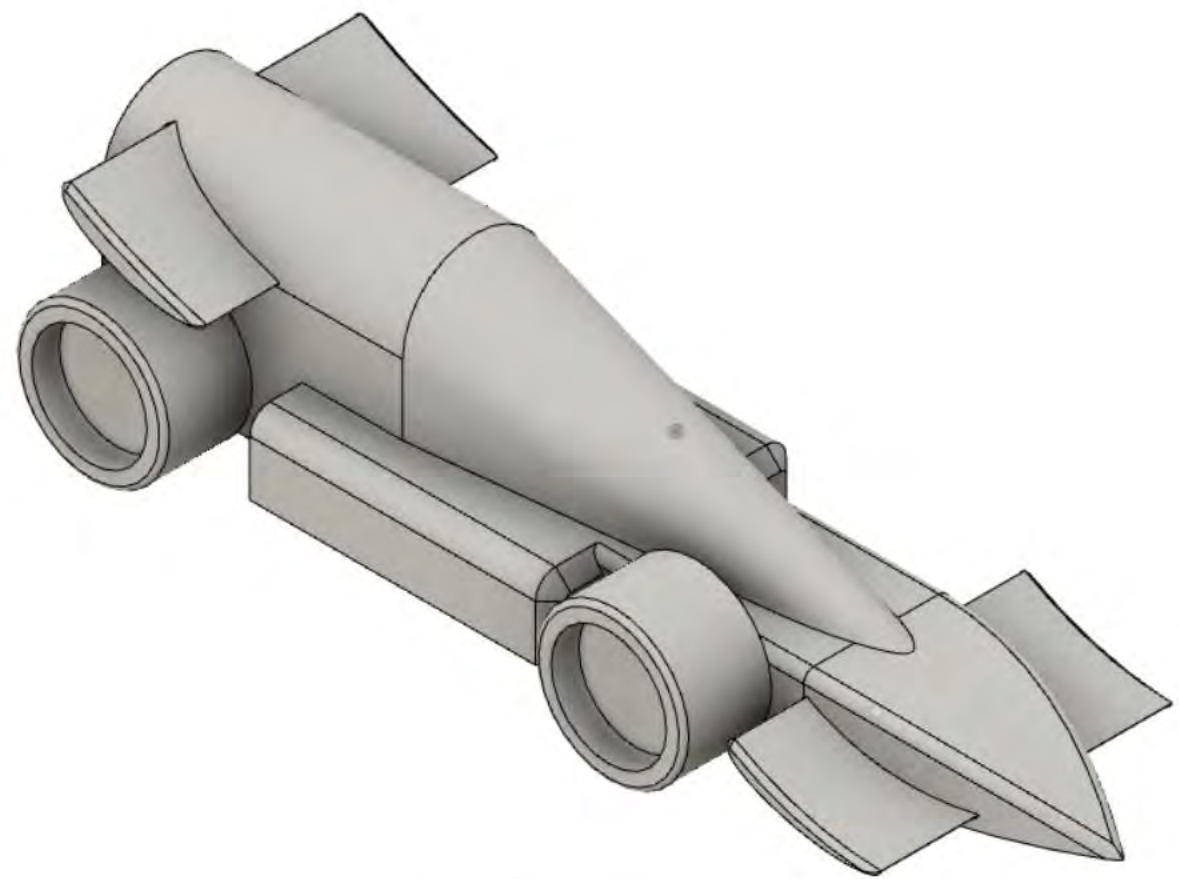
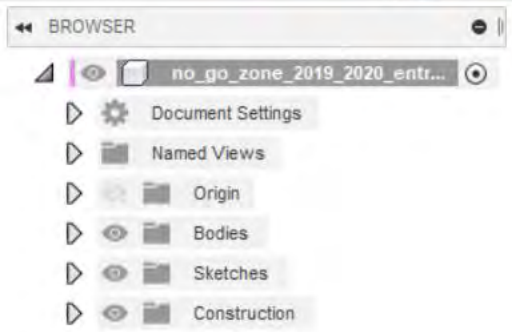


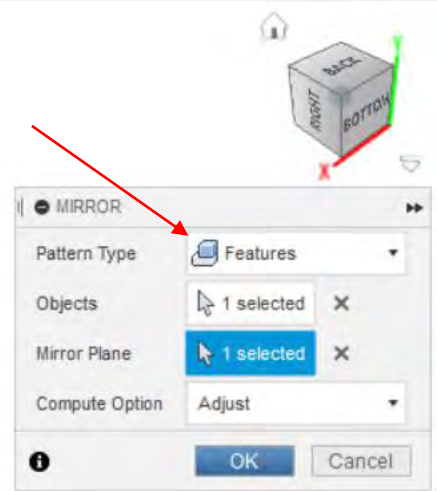
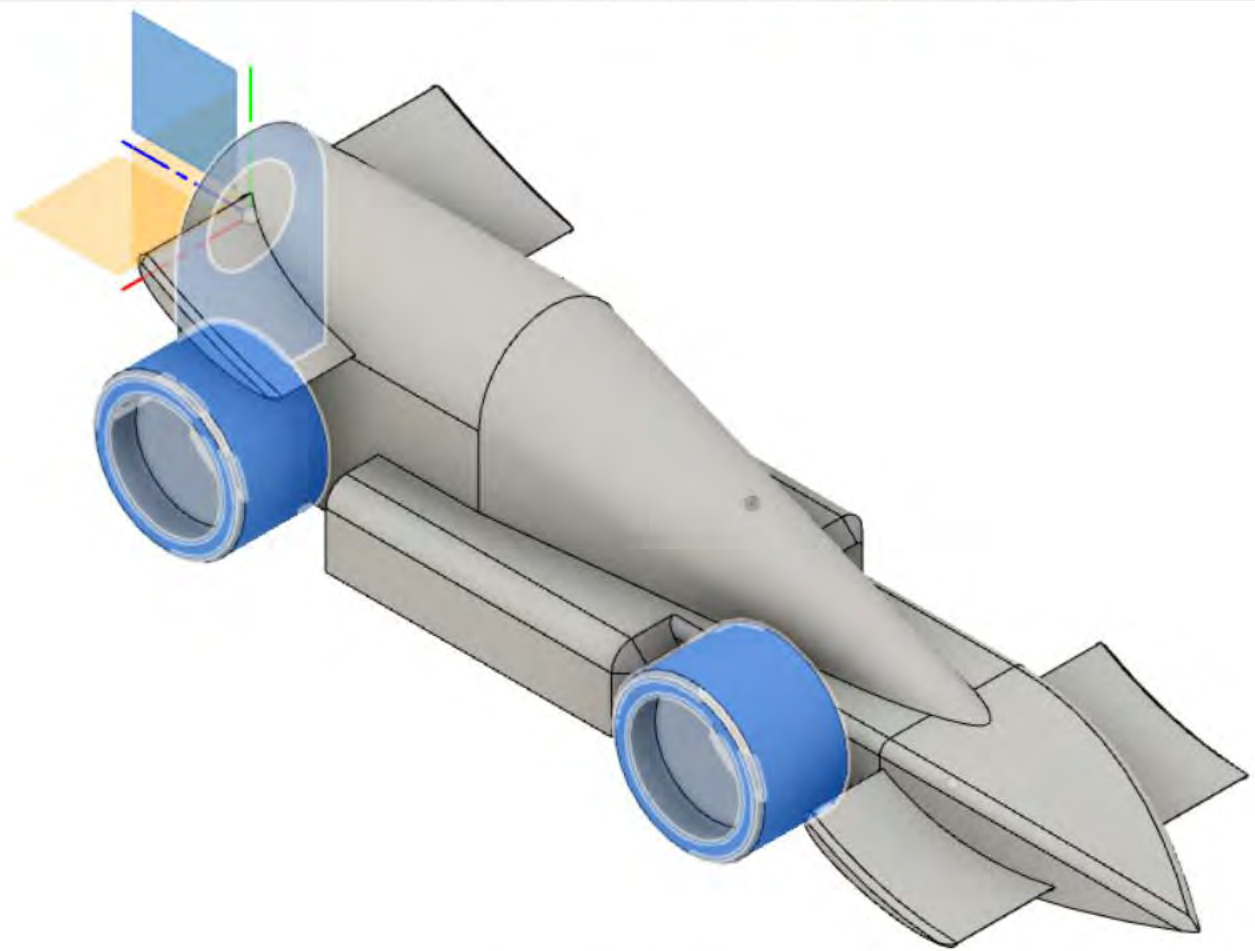
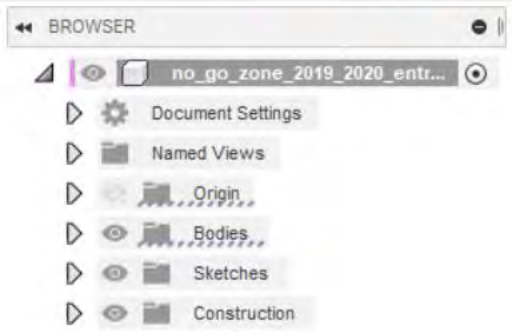
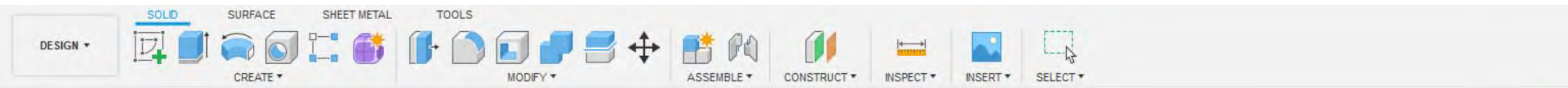


1. Select Modify
2. Select Fillet



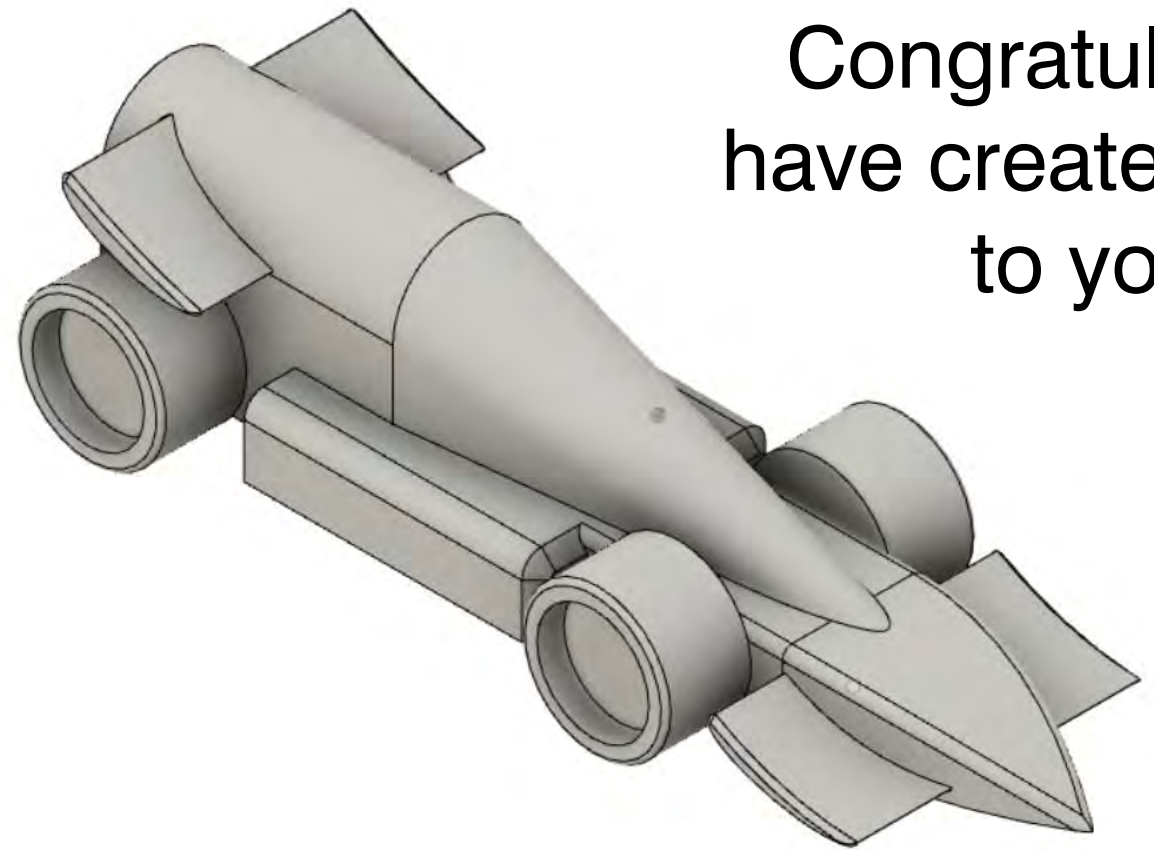
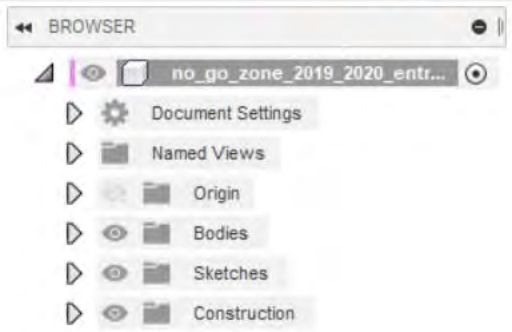
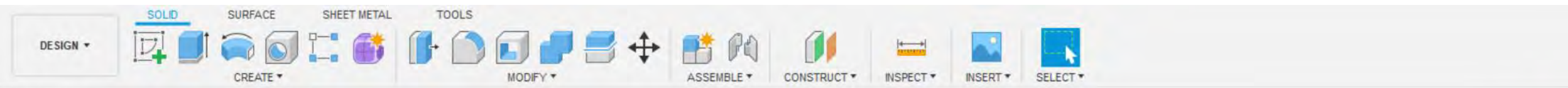






1. Select 'CREATE'
2. Select Mirror
3. Pattern Type- Features
4. Objects- Wheels
5. Mirror Plane- YZ axis
6. Click 'OK'





Congratulations, you have created the wheels to your car.

