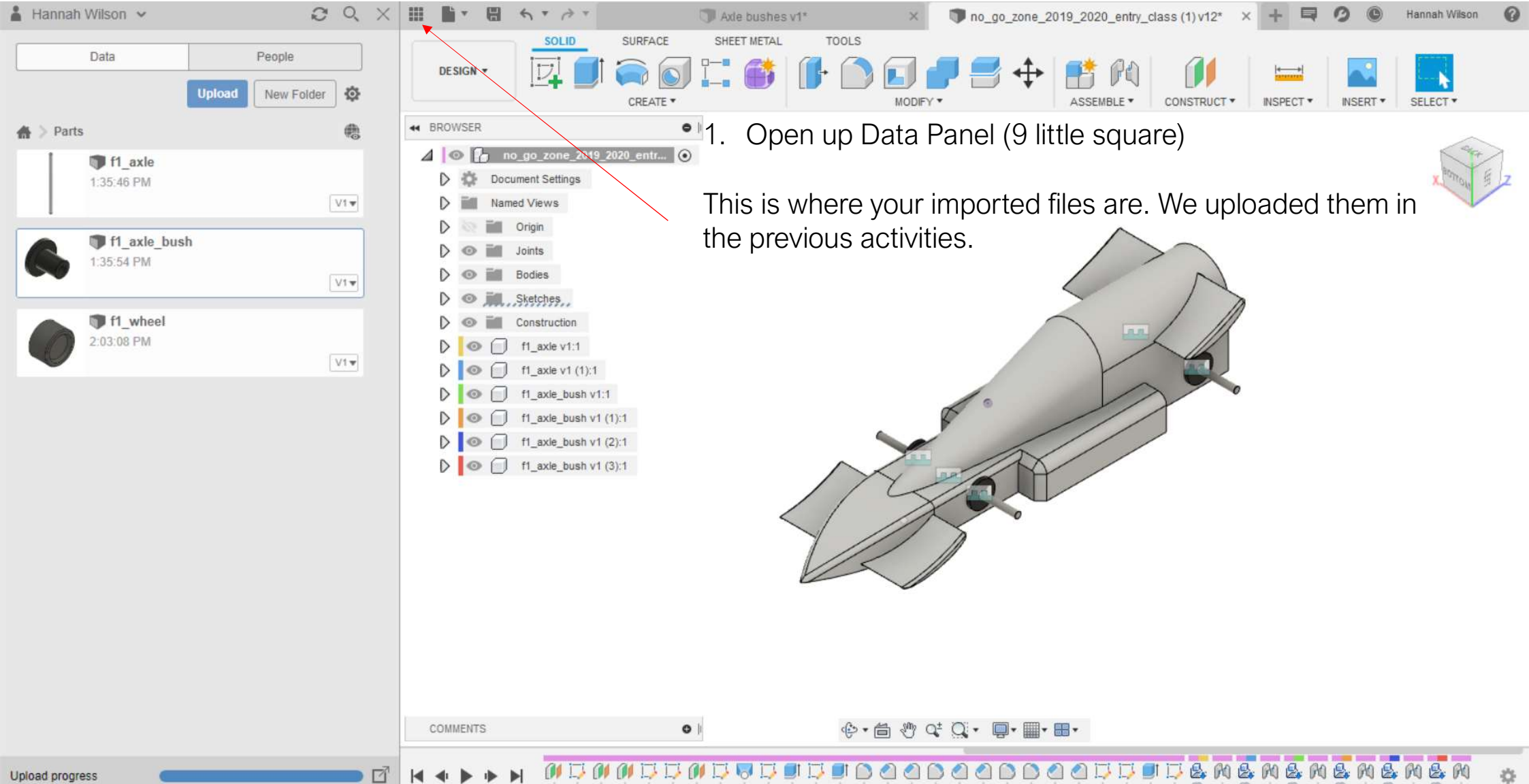


Activity 10

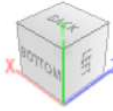
Assembling the wheels





1. Open up Data Panel (9 little square)

This is where your imported files are. We uploaded them in the previous activities.



Data People

Upload New Folder

Parts

- f1_axle
1:35:46 PM
- f1_axle_bush
1:35:54 PM
- f1_wheel
2:03:08 PM

Open
Insert into Current Design
New Drawing from Design
Share Public Link
Import New Version
Rename
Move
Copy
Delete
Add to Offline Cache

Upload progress

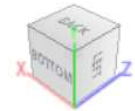
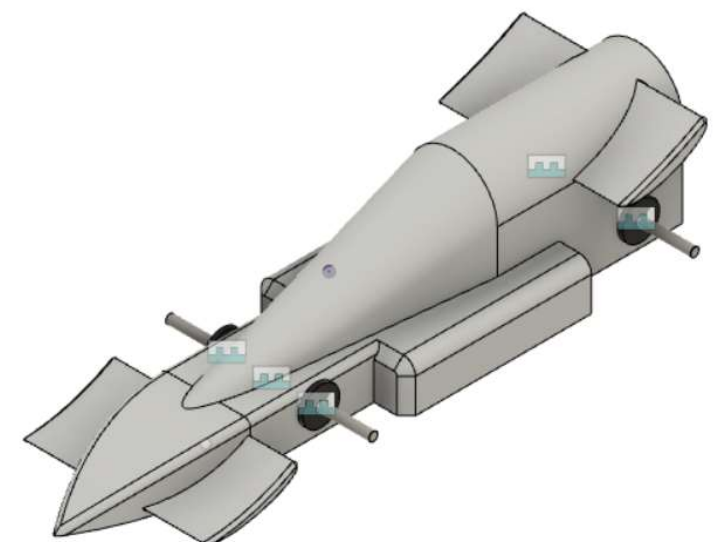
DESIGN SOLID SURFACE SHEET METAL TOOLS

CREATE MODIFY ASSEMBLE CONSTRUCT INSPECT INSERT SELECT

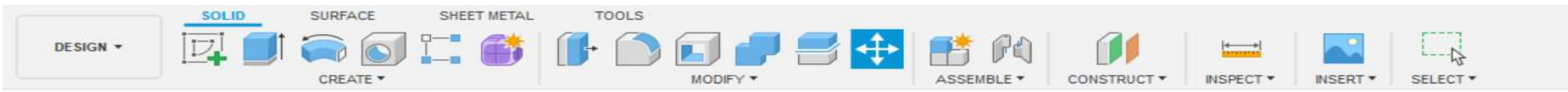
BROWSER

- no_go_zone_2019_2020_entr...
- Document Settings
- Named Views
- Origin
- Joints
- Bodies
- Sketches
- Construction
- f1_axle v1:1
- f1_axle v1 (1):1
- f1_axle_bush v1:1
- f1_axle_bush v1 (1):1
- f1_axle_bush v1 (2):1
- f1_axle_bush v1 (3):1

1. Right click on the wheel you have uploaded in the data panel.
2. Select 'Insert into Current Design'



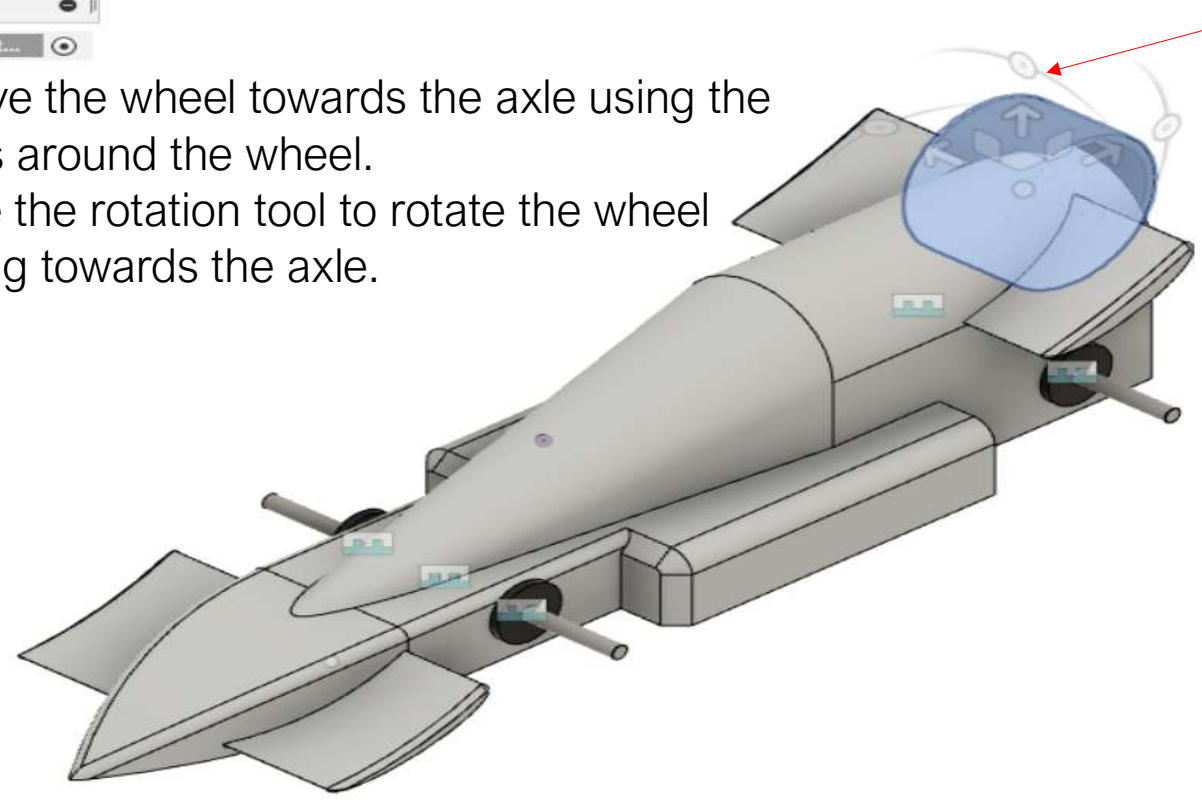
COMMENTS



BROWSER

- no_go_zone_2019_2020_ent...
- Document Settings
- Named Views
- Origin
- Joints
- Bodies
- Sketches
- Construction
- f1_axle v1:1
- f1_axle v1 (1):1
- f1_axle_bush v1:1
- f1_axle_bush v1 (1):1
- f1_axle_bush v1 (2):1
- f1_axle_bush v1 (3):1
- f1_wheel v1:1**

1- Move the wheel towards the axle using the arrows around the wheel.
2- Use the rotation tool to rotate the wheel pointing towards the axle.



MOVE/COPY

Move Object: Components

Selection: 1 selected

Move Type: [Move] [Copy] [Paste]

Set Pivot: [Pivot]

X Distance: 0.00 mm

Y Distance: 0.00 mm

Z Distance: 0.00 mm

X Angle: 0.0 deg

Y Angle: 0.0 deg

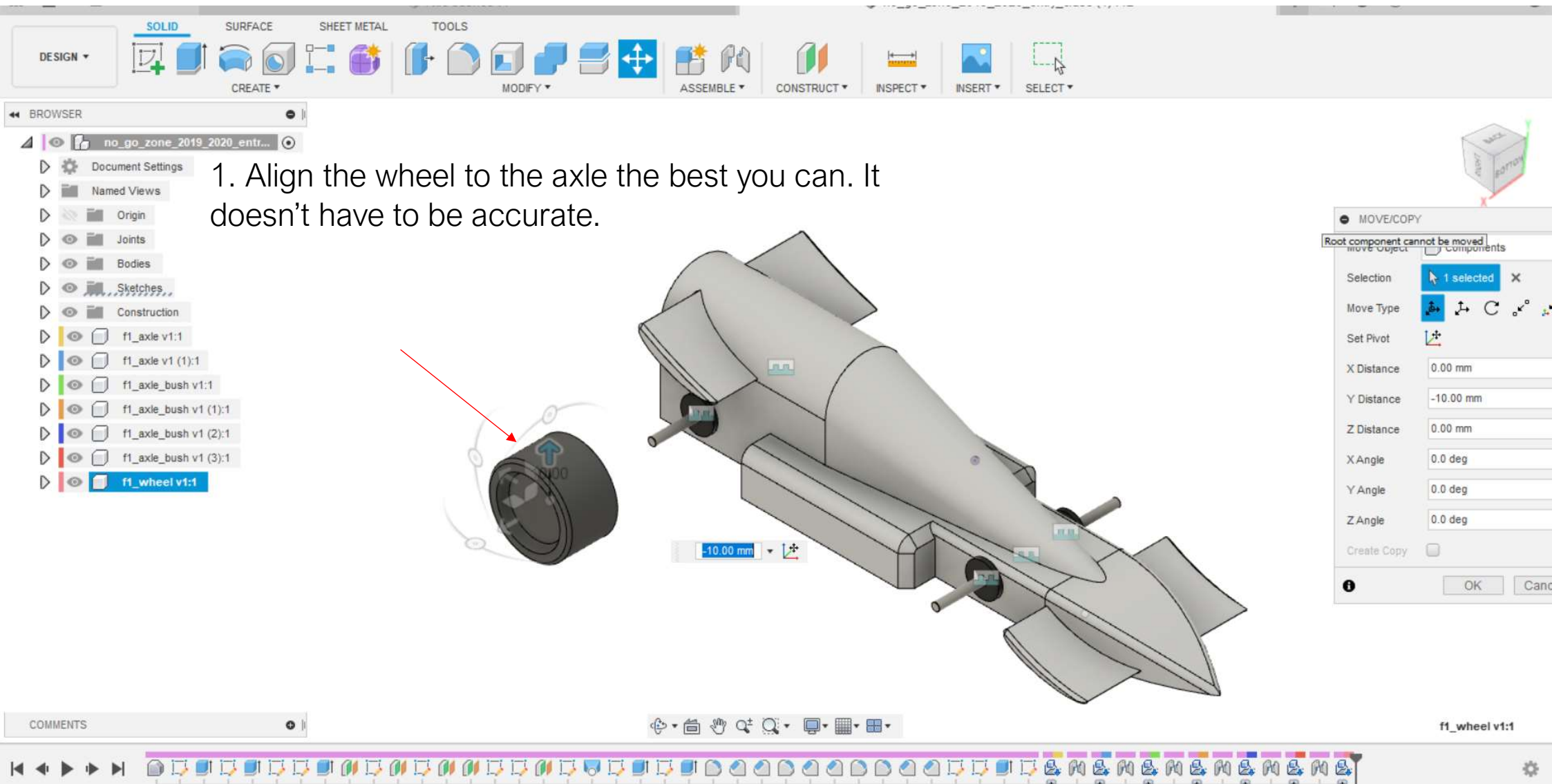
Z Angle: 0.0 deg

Create Copy:

OK Cancel

COMMENTS







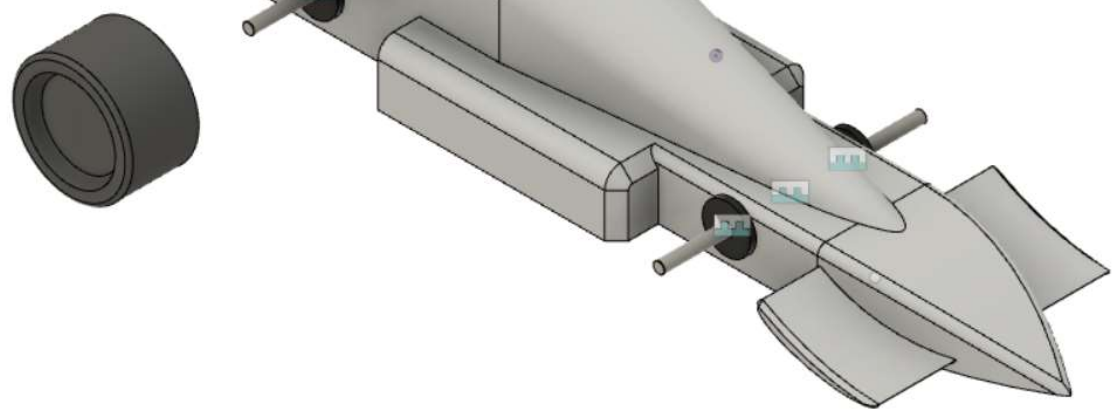
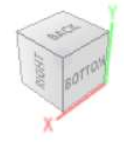
BROWSER

no_go_zone_2019_2020_ent...

- Document Settings
- Named Views
- Origin
- Joints
- Bodies
- Sketches
- Construction
- f1_axle v1:1
- f1_axle v1 (1):1
- f1_axle_bush v1:1
- f1_axle_bush v1 (1):1
- f1_axle_bush v1 (2):1
- f1_axle_bush v1 (3):1
- f1_wheel v1:1

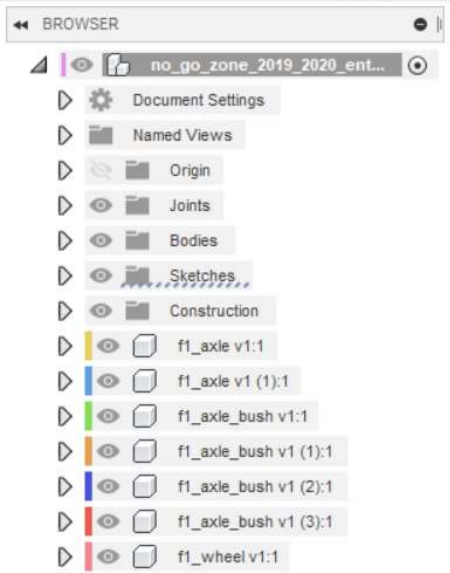
1. Select 'Joint' in Assemble.

Joint (j)
Positions components relative to one another and defines the relative motion.
Select geometry or joint origins to define the joint. Specify the type to define the relative motion.



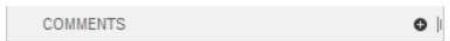
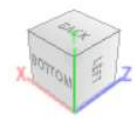
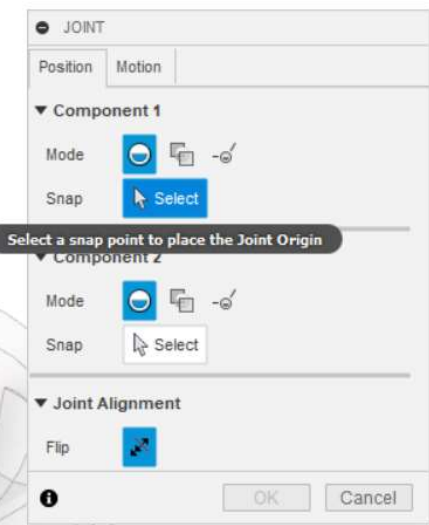
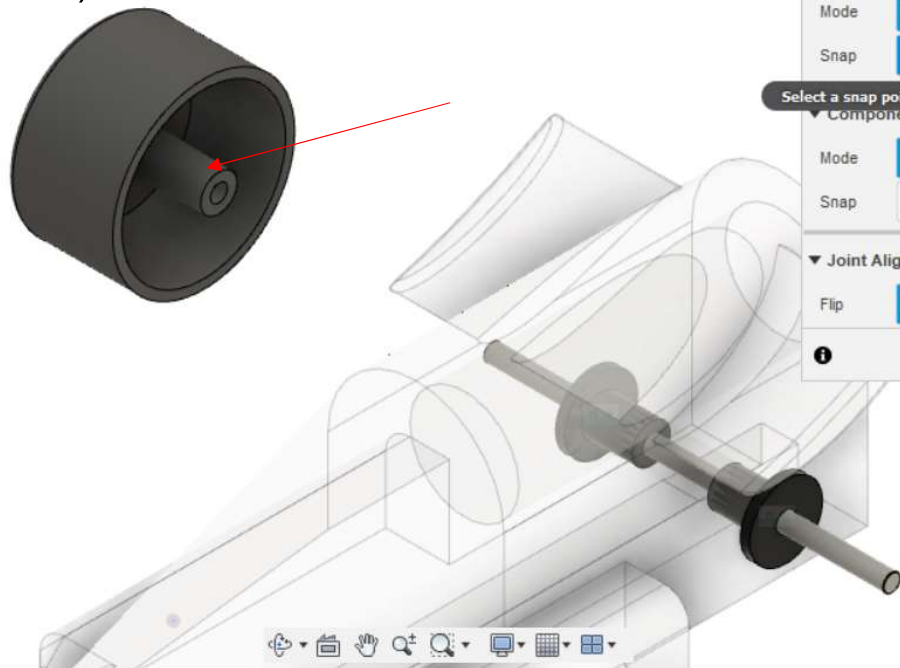
COMMENTS

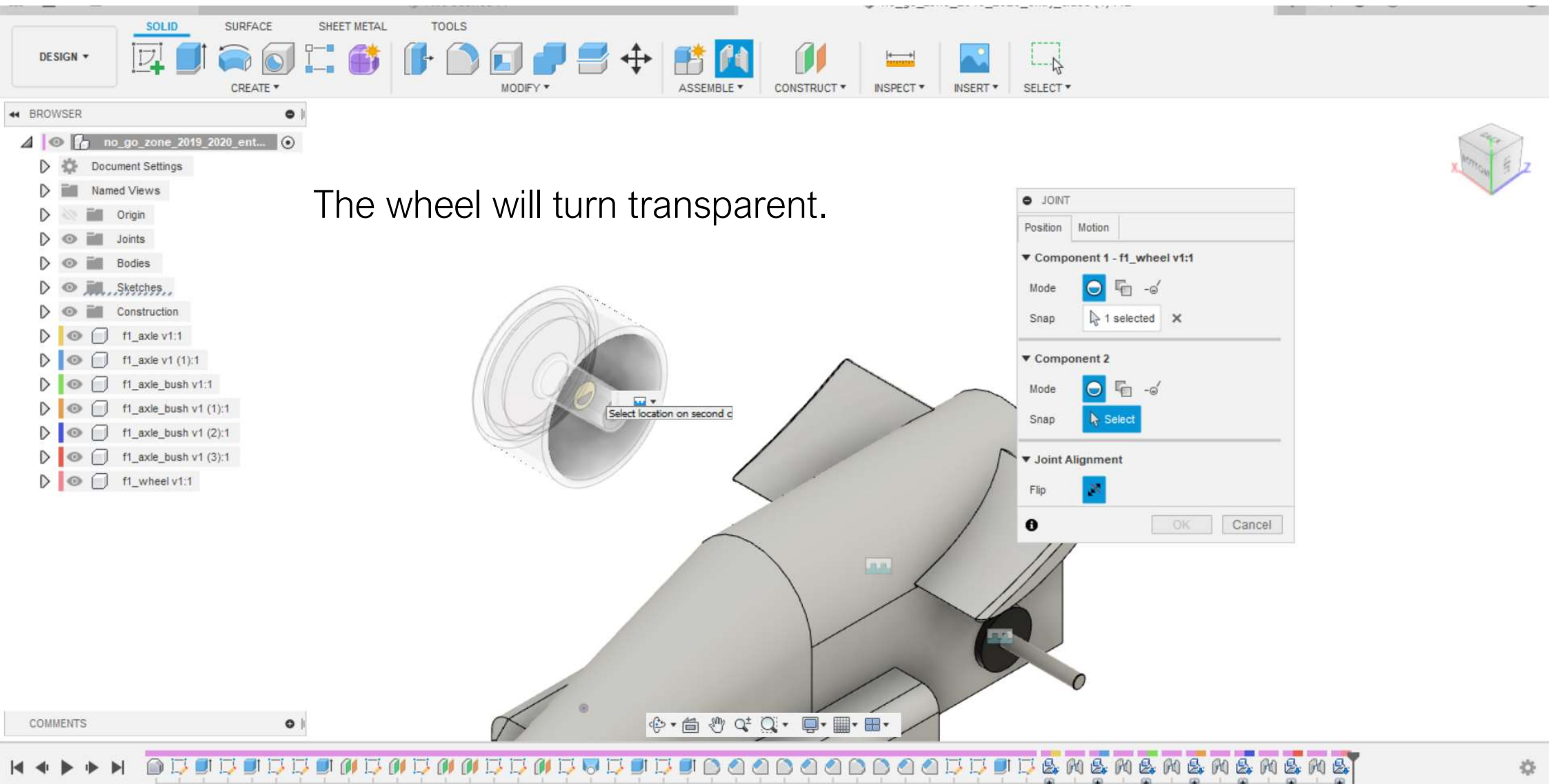




Component 1

- 1- Click Select (next to snap)
- 2- Select the inside of the wheel (red arrow)





The wheel will turn transparent.

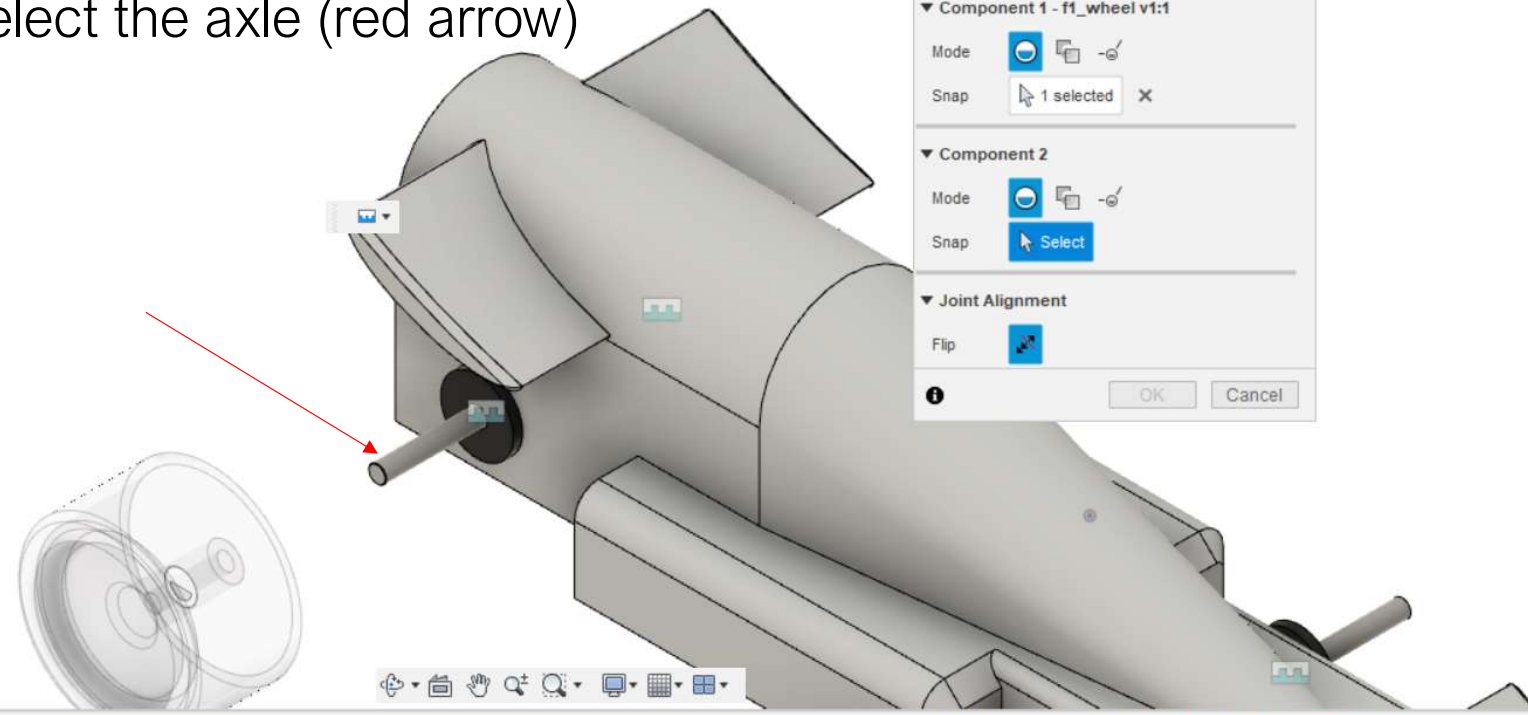




BROWSER

- no_go_zone_2019_2020_ent...
- Document Settings
- Named Views
- Origin
- Joints
- Bodies
- Sketches
- Construction
- f1_axle v1:1
- f1_axle v1 (1):1
- f1_axle_bush v1:1
- f1_axle_bush v1 (1):1
- f1_axle_bush v1 (2):1
- f1_axle_bush v1 (3):1
- f1_wheel v1:1

Component 2
1- Click Select (next to snap)
2- Select the axle (red arrow)



JOINT

Position Motion

Component 1 - f1_wheel v1:1

Mode

Snap X

Component 2

Mode

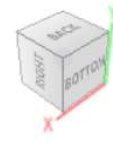
Snap

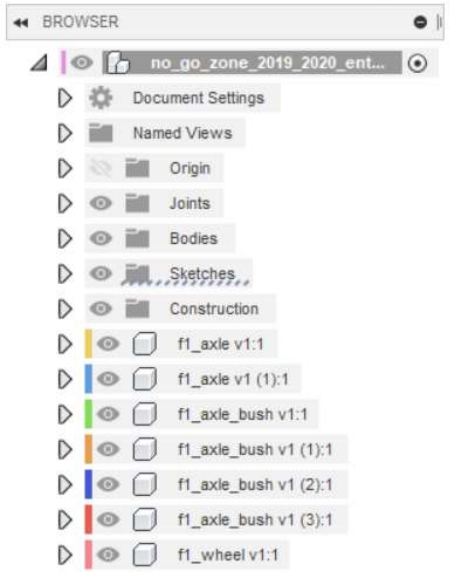
Joint Alignment

Flip

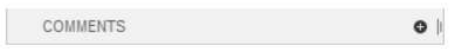
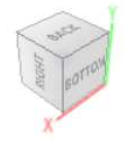
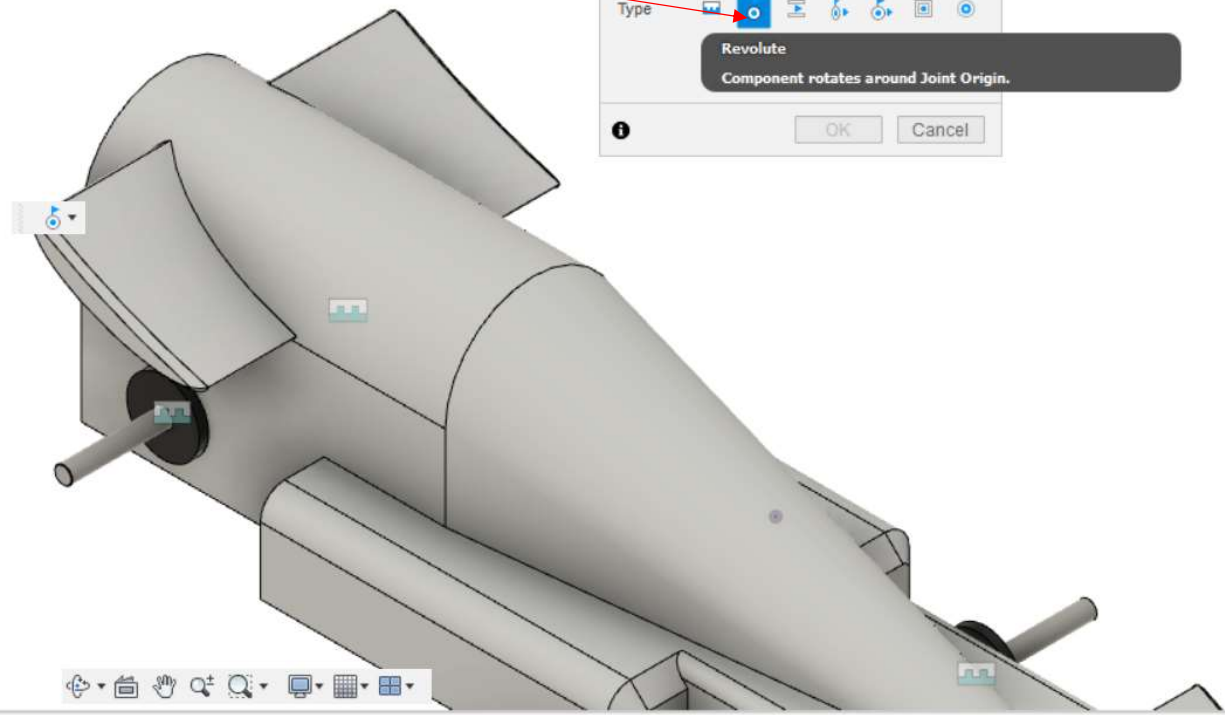
OK Cancel

COMMENTS





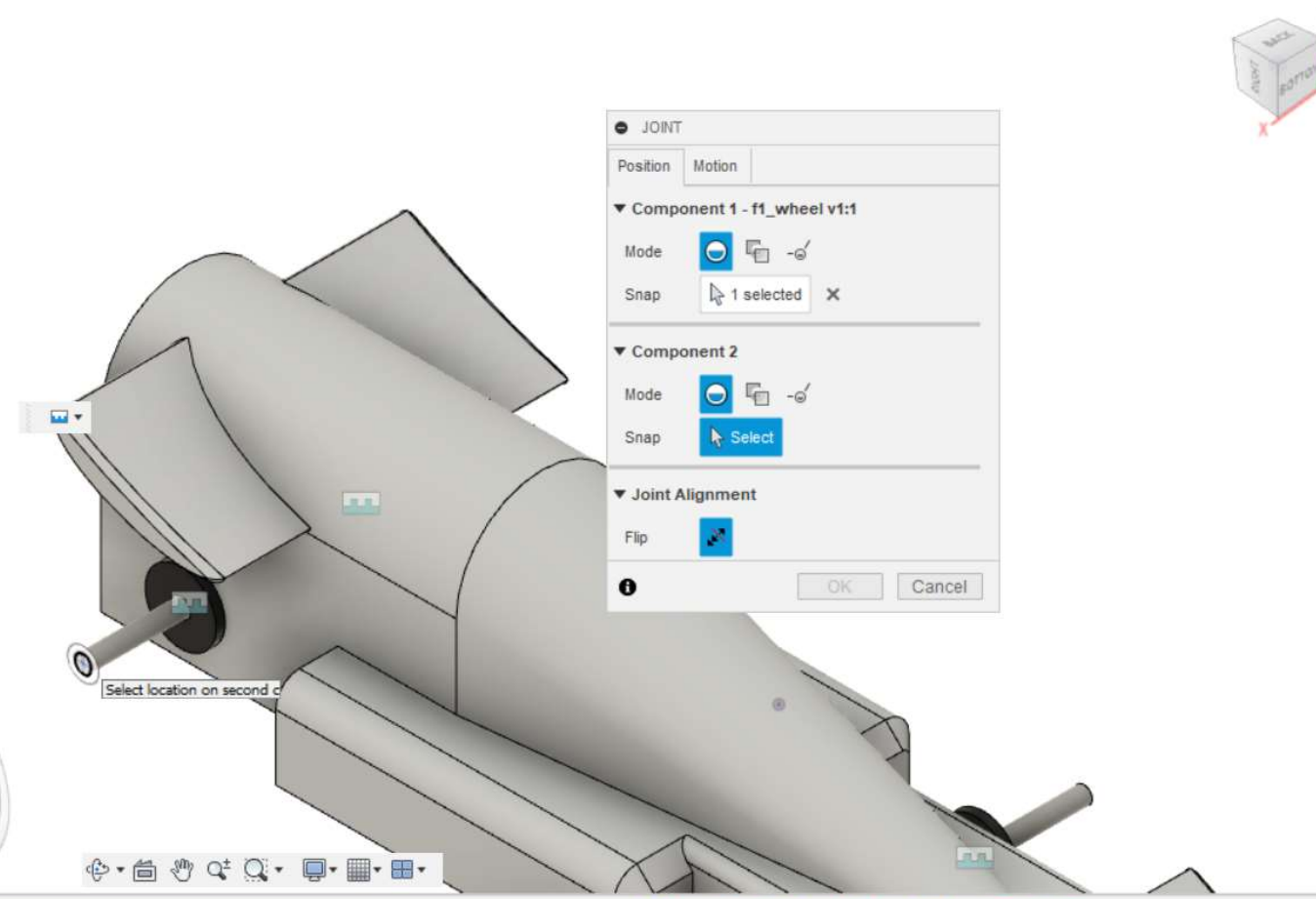
1. Select motion
2. Select 'Revolute'- This will make your wheels turn.



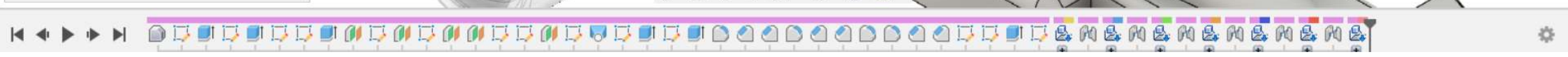


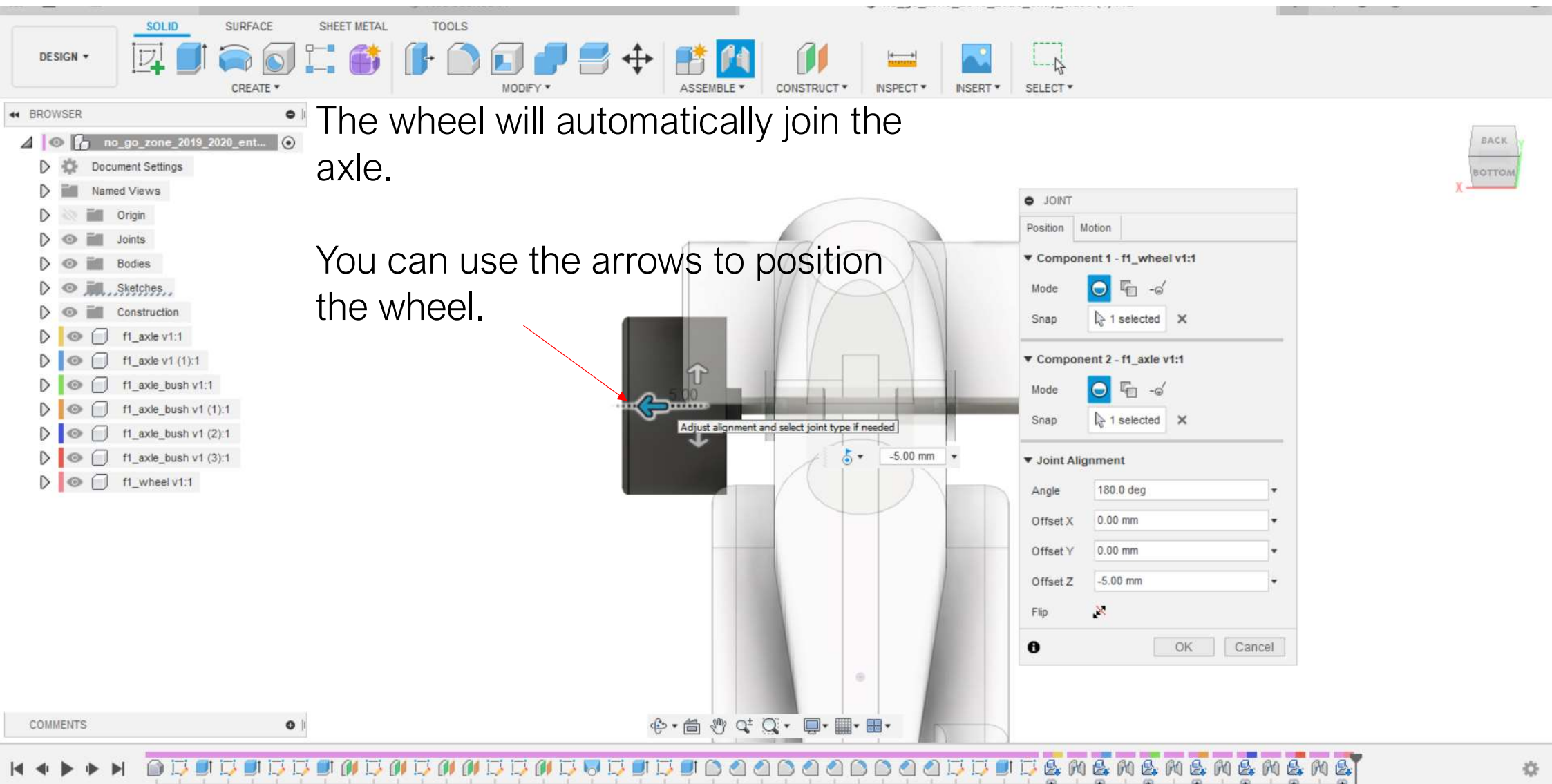
BROWSER

- no_go_zone_2019_2020_ent...
- Document Settings
- Named Views
- Origin
- Joints
- Bodies
- Sketches
- Construction
- f1_axle v1:1
- f1_axle v1 (1):1
- f1_axle_bush v1:1
- f1_axle_bush v1 (1):1
- f1_axle_bush v1 (2):1
- f1_axle_bush v1 (3):1
- f1_wheel v1:1



COMMENTS

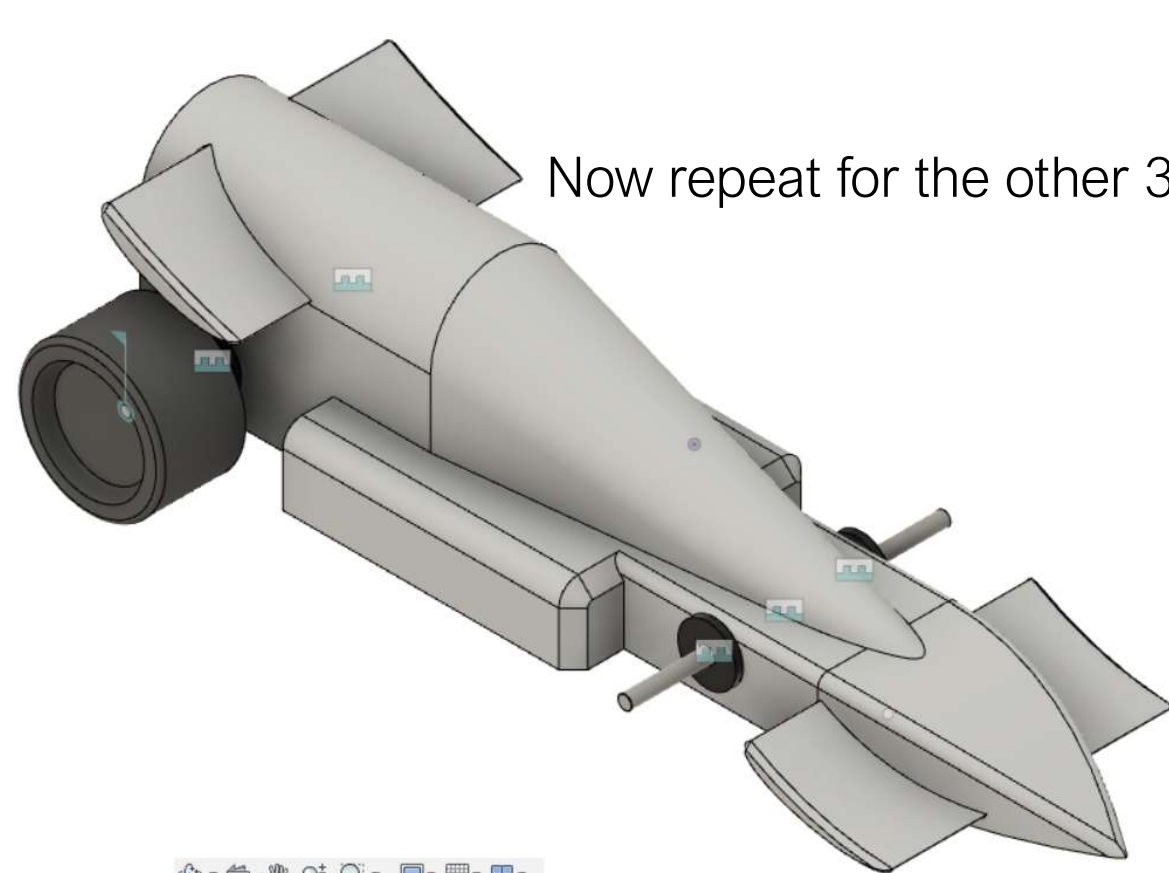




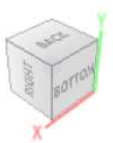


BROWSER

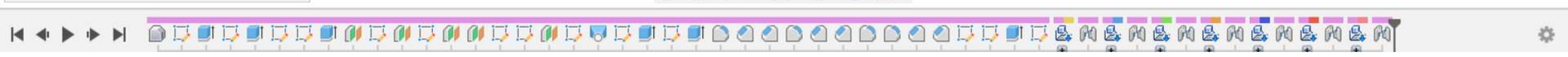
- no_go_zone_2019_2020_ent...
- Document Settings
- Named Views
- Origin
- Joints
- Bodies
- Sketches
- Construction
- f1_axle v1:1
- f1_axle v1 (1):1
- f1_axle_bush v1:1
- f1_axle_bush v1 (1):1
- f1_axle_bush v1 (2):1
- f1_axle_bush v1 (3):1
- f1_wheel v1:1



Now repeat for the other 3 wheels.



COMMENTS



Data People

Upload New Folder

Parts

- f1_axle
1:35:46 PM
- f1_axle_bush
1:35:54 PM
- f1_wheel
2:03:08 PM

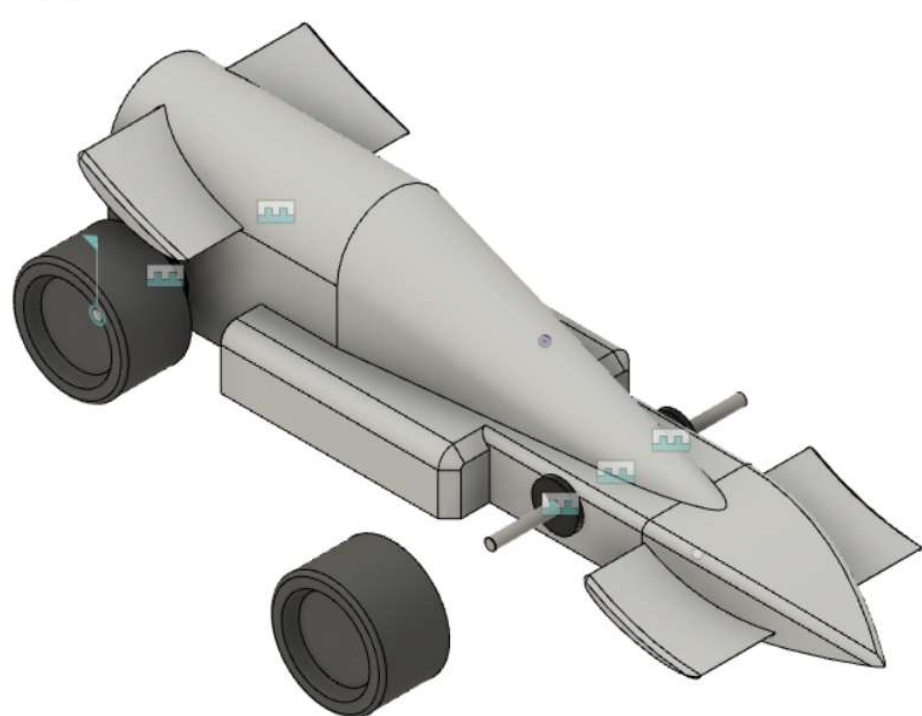
Upload progress

DESIGN SOLID SURFACE SHEET METAL TOOLS

CREATE MODIFY ASSEMBLE CONSTRUCT INSPECT INSERT SELECT

BROWSER

- no_go_zone_2019_2020_ent...
- Document Settings
- Named Views
- Origin
- Joints
- Bodies
- Sketches
- Construction
- f1_axle v1:1
- f1_axle v1 (1):1
- f1_axle_bush v1:1
- f1_axle_bush v1 (1):1
- f1_axle_bush v1 (1):1
- f1_axle_bush v1 (2):1
- f1_axle_bush v1 (3):1
- f1_wheel v1:1
- f1_wheel v1 (1):1



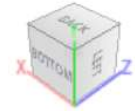
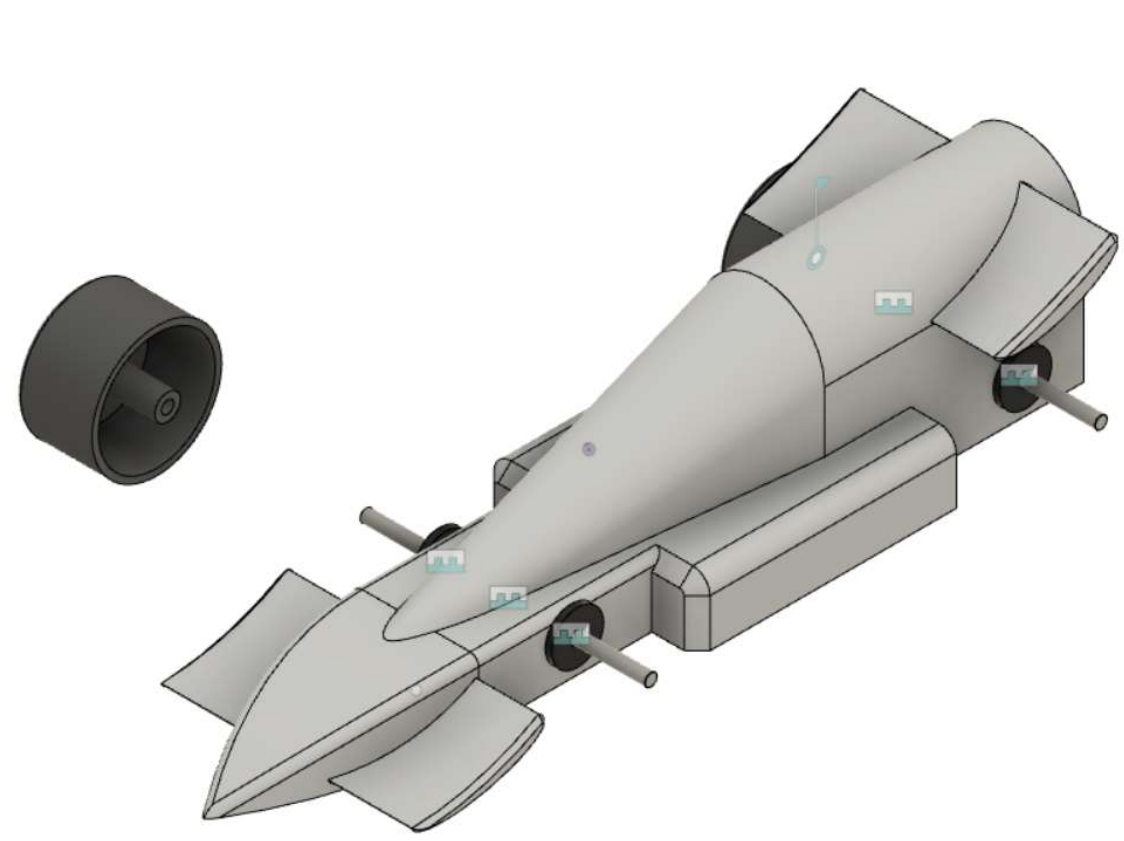
COMMENTS

Navigation icons: Home, Back, Forward, Stop, Refresh, Print, Share, etc.



BROWSER

- no_go_zone_2019_2020_entr...
- Document Settings
- Named Views
- Origin
- Joints
- Bodies
- Sketches
- Construction
- f1_axle v1:1
- f1_axle v1 (1):1
- f1_axle_bush v1:1
- f1_axle_bush v1 (1):1
- f1_axle_bush v1 (2):1
- f1_axle_bush v1 (3):1
- f1_wheel v1:1
- f1_wheel v1 (1):1



COMMENTS



DESIGN ▾

SOLID SURFACE SHEET METAL TOOLS

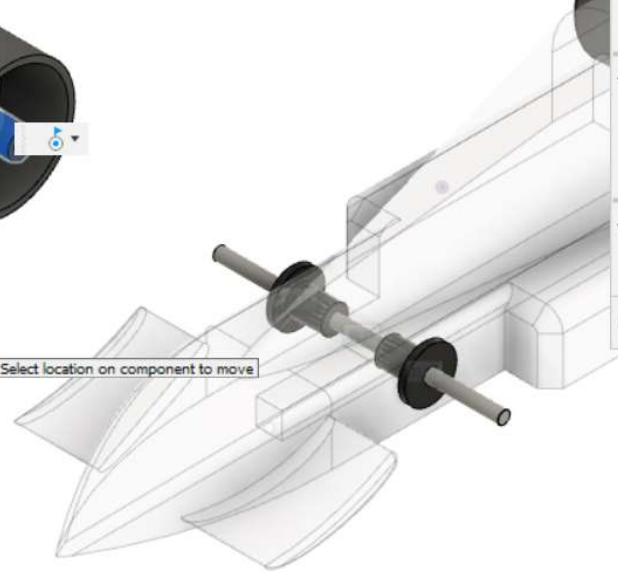
CREATE ▾ MODIFY ▾ ASSEMBLE ▾ CONSTRUCT ▾ INSPECT ▾ INSERT ▾ SELECT ▾

BROWSER

- no_go_zone_2019_2020_entr...
- Document Settings
- Named Views
- Origin
- Joints
- Bodies
- Sketches
- Construction
- f1_axle v1:1
- f1_axle v1 (1):1
- f1_axle_bush v1:1
- f1_axle_bush v1 (1):1
- f1_axle_bush v1 (2):1
- f1_axle_bush v1 (3):1
- f1_wheel v1:1
- f1_wheel v1 (1):1



Select location on component to move



JOINT

Position Motion

Component 1 - f1_wheel v1 (1):1

Mode

Snap 1 selected X

Component 2

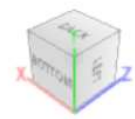
Mode

Snap Select

Joint Alignment

Flip

OK Cancel



COMMENTS

1 Face | Area : 285.248 mm²

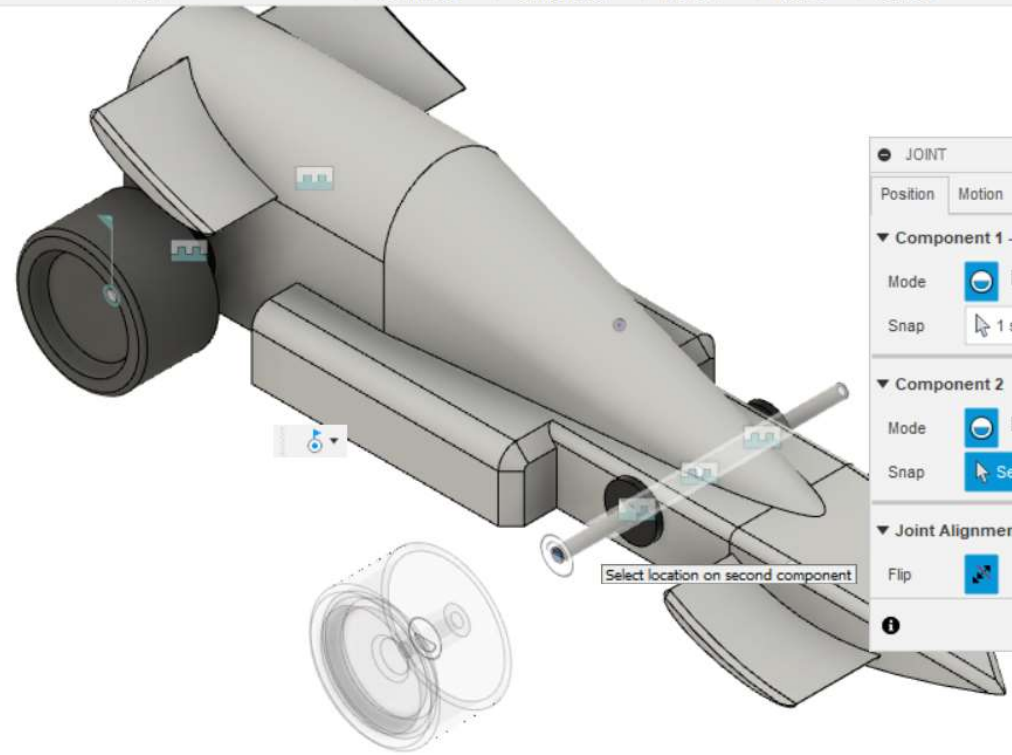
DESIGN ▾

SOLID SURFACE SHEET METAL TOOLS

CREATE ▾ MODIFY ▾ ASSEMBLE ▾ CONSTRUCT ▾ INSPECT ▾ INSERT ▾ SELECT ▾

BROWSER

- no_go_zone_2019_2020_entr...
- Document Settings
- Named Views
- Origin
- Joints
- Bodies
- Sketches
- Construction
- f1_axle v1:1
- f1_axle v1 (1):1
- f1_axle_bush v1:1
- f1_axle_bush v1 (1):1
- f1_axle_bush v1 (2):1
- f1_axle_bush v1 (3):1
- f1_wheel v1:1
- f1_wheel v1 (1):1



JOINT

Position Motion

Component 1 - f1_wheel v1 (1):1

Mode -

Snap X

Component 2

Mode -

Snap

Joint Alignment

Flip

OK Cancel

COMMENTS

Navigation icons: Home, Hand, Rotate, Zoom, Pan, etc.

Timeline and view control icons: Previous, Next, Isolate, Hide, etc.

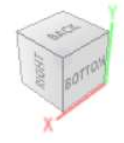
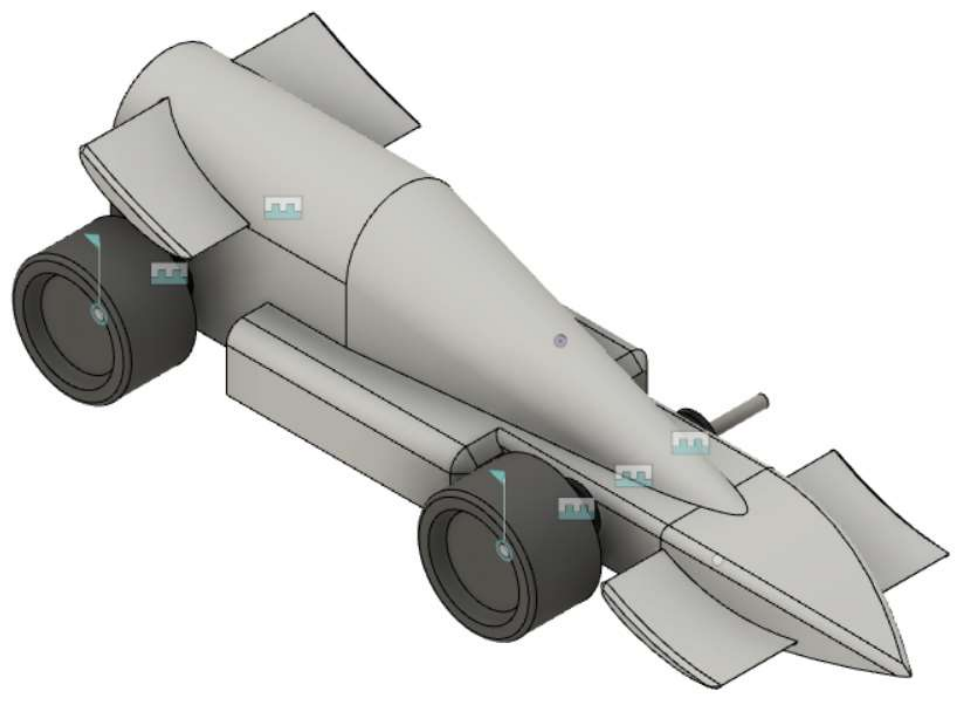
DESIGN ▾

SOLID SURFACE SHEET METAL TOOLS

CREATE ▾ MODIFY ▾ ASSEMBLE ▾ CONSTRUCT ▾ INSPECT ▾ INSERT ▾ SELECT ▾

BROWSER

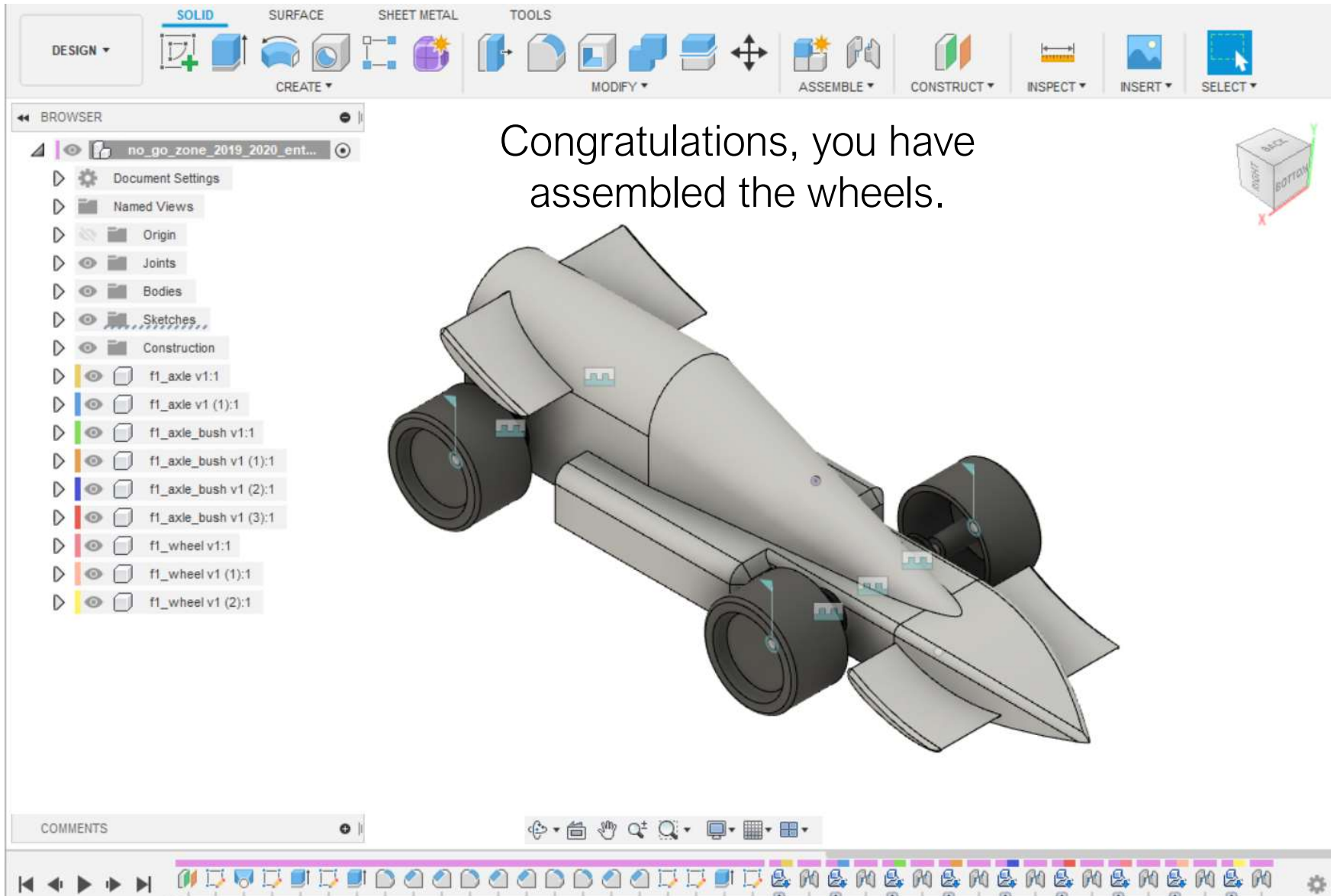
- no_go_zone_2019_2020_entr...
- Document Settings
- Named Views
- Origin
- Joints
- Bodies
- Sketches
- Construction
- f1_axle v1:1
- f1_axle v1 (1):1
- f1_axle_bush v1:1
- f1_axle_bush v1 (1):1
- f1_axle_bush v1 (2):1
- f1_axle_bush v1 (3):1
- f1_wheel v1:1
- f1_wheel v1 (1):1



COMMENTS

Navigation and utility icons including a search icon, a refresh icon, a hand icon, a magnifying glass icon, a camera icon, a grid icon, and a window icon.

Timeline and view control icons including a play button, a stop button, a refresh button, a camera icon, a grid icon, and a window icon.



Congratulations, you have assembled the wheels.