

# Activity 9

## Assembling the axle bushes



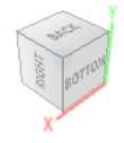
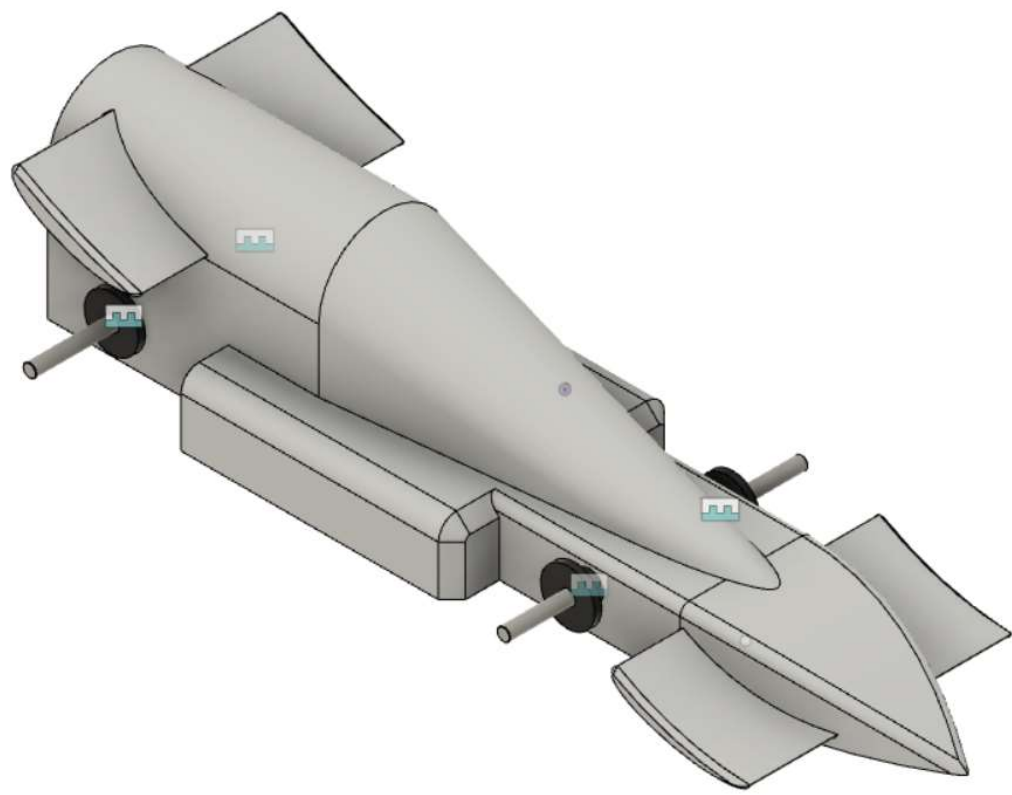
DESIGN ▾

SOLID SURFACE SHEET METAL TOOLS

CREATE ▾ MODIFY ▾ ASSEMBLE ▾ CONSTRUCT ▾ INSPECT ▾ INSERT ▾ SELECT ▾

BROWSER

- no\_go\_zone\_2019\_2020\_ent...
- Document Settings
- Named Views
- Origin
  - 0
  - X
  - Y
  - Z
  - XY
  - XZ
  - YZ
- Joints
- Bodies
- Sketches
- Construction
  - f1\_axle v1:1
  - f1\_axle v1:2
  - f1\_axle\_bush v1:2
  - f1\_axle\_bush v1:3
  - f1\_axle\_bush v1:4
  - f1\_axle\_bush v1:5



COMMENTS

Navigation and tool icons for the CAD software interface.

Bottom status bar containing navigation arrows, a toolbar with various icons, and a settings gear icon on the right.

Data People

Upload New Folder

WEBSITE

f1\_axle  
10:44:44 AM

f1\_axle\_bush  
10:40:23 AM

f1\_wh  
5/11/20

no\_gc  
3/30/20

no\_gc  
5/11/20

Quick Appearance  
9:31:33 AM

DESIGN

SOLID SURFACE SHEET METAL TOOLS

CREATE MODIFY ASSEMBLE CONSTRUCT INSPECT INSERT SELECT

BROWSER

no\_go\_zone\_2019\_2020\_ent...

Document Settings

Named Views

Origin

O X Y Z XY XZ YZ

Joints

Bodies

Sketches

Construction

f1\_axle v1:1

f1\_axle v1:2

COMMENTS

You are now going to assemble the axle bushes.

1. Right click the axle bush.
2. Select 'Insert into Current Design'

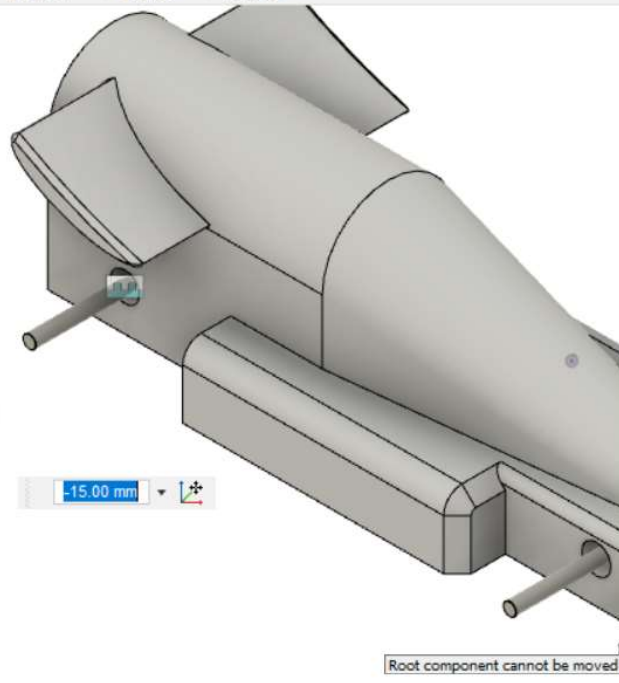
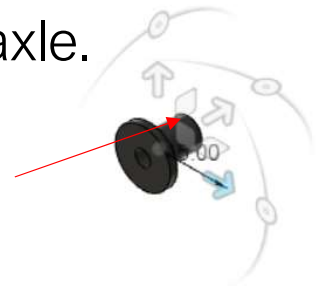


BROWSER

no\_go\_zone\_2019\_2020\_ent...

- Document Settings
- Named Views
- Origin
  - 0
  - X
  - Y
  - Z
  - XY
  - XZ
  - YZ
- Joints
- Bodies
- Sketches
- Construction
- f1\_axle v1:1
- f1\_axle v1:2
- f1\_axle\_bush v1:1**

1- Move the axle bush towards the axle using the arrows around the axle bush.  
2- Use the rotation tool to rotate the axle bush pointing towards the axle.



**MOVE/COPY**

Move Object: Components

Selection: 1 selected

Move Type: [Icons]

Set Pivot: [Icon]

X Distance: 0.00 mm

Y Distance: 0.00 mm

Z Distance: -15.00 mm

X Angle: 0.0 deg

Y Angle: 0.0 deg

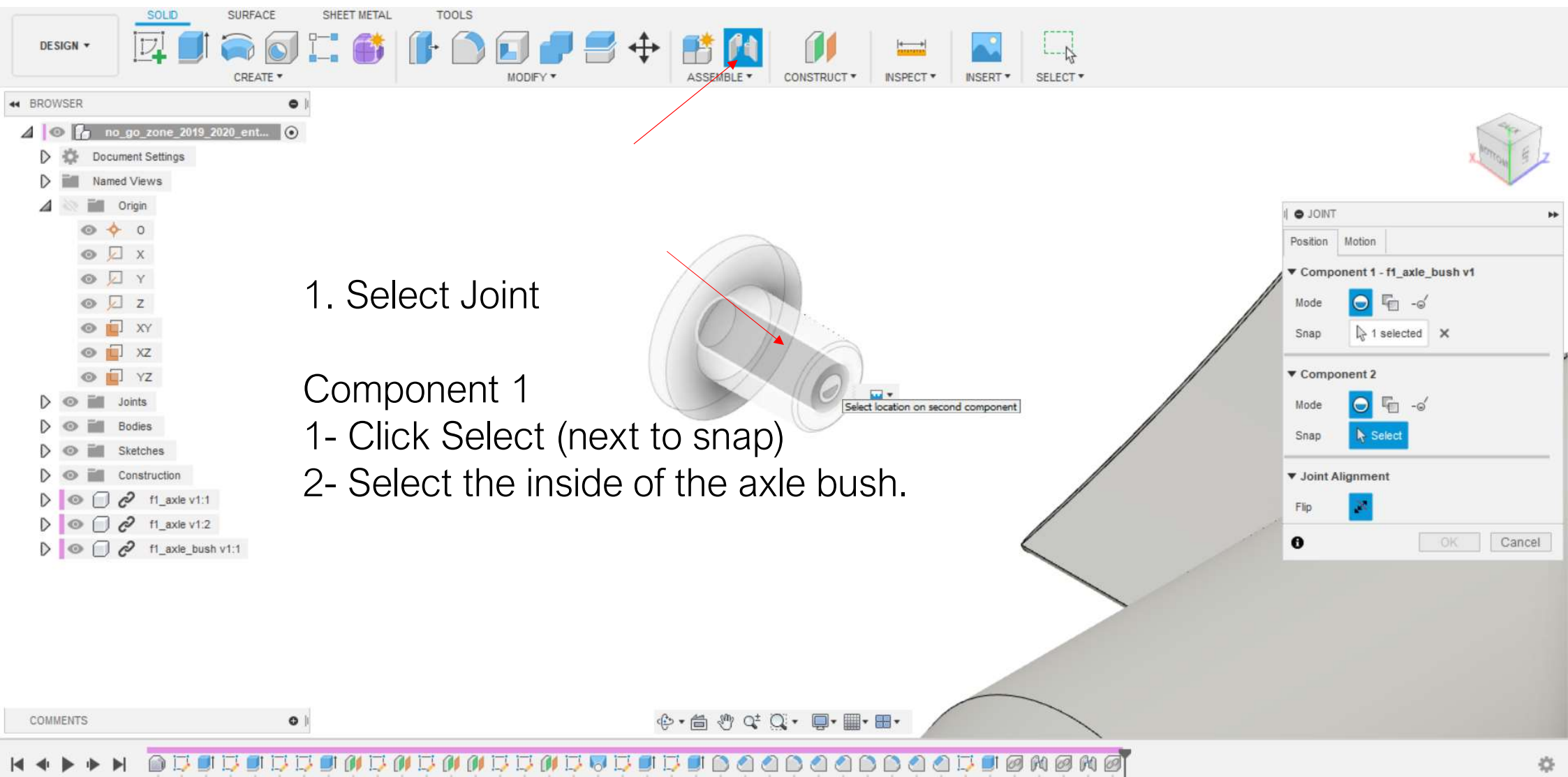
Z Angle: 0.0 deg

Create Copy:

OK Cancel

COMMENTS



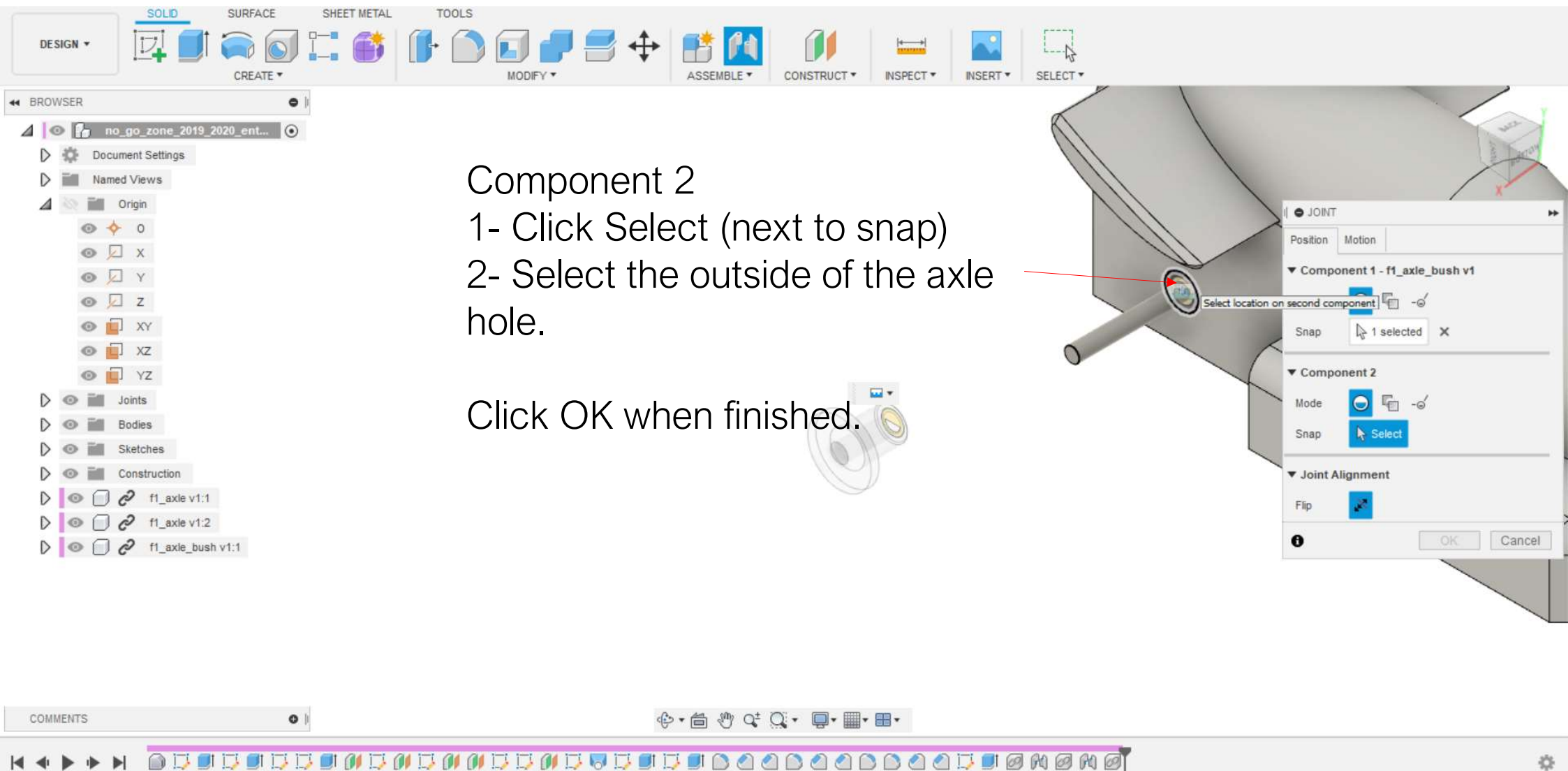


1. Select Joint

Component 1

1- Click Select (next to snap)

2- Select the inside of the axle bush.





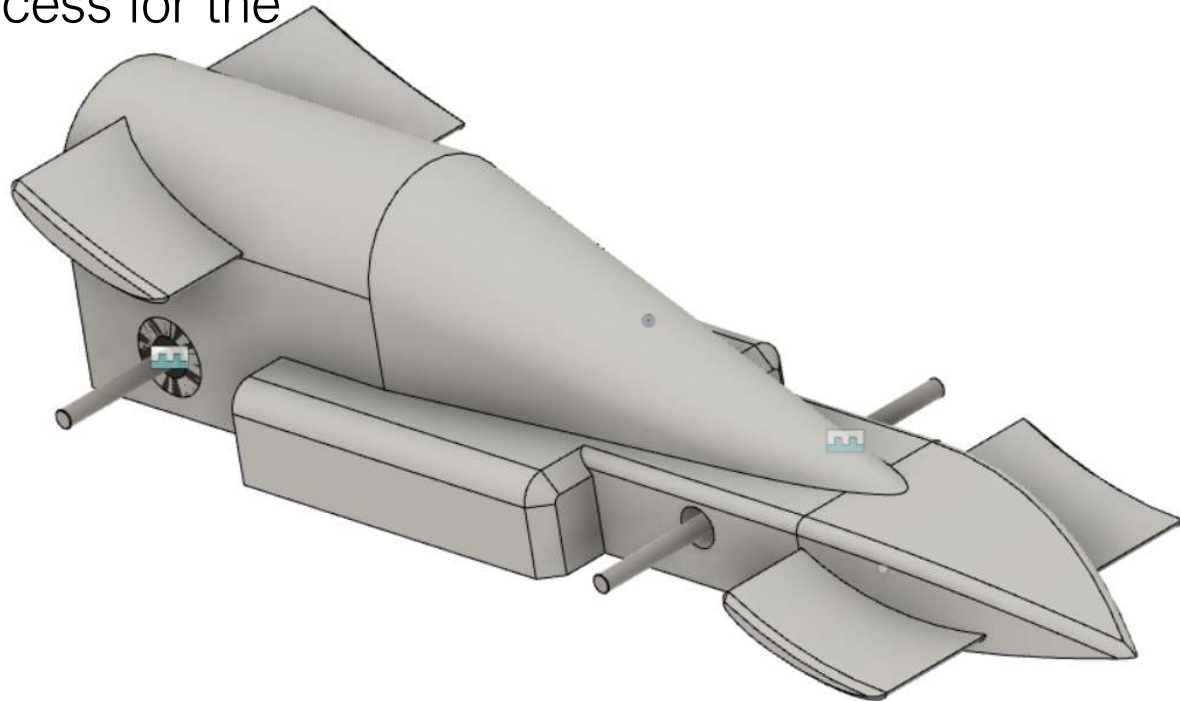


BROWSER

no\_go\_zone\_2019\_2020\_ent...

- Document Settings
- Named Views
- Origin
  - 0
  - X
  - Y
  - Z
  - XY
  - XZ
  - YZ
- Joints
- Bodies
- Sketches
- Construction
- f1\_axle v1:1
- f1\_axle v1:2
- f1\_axle\_bush v1:1

Now repeat for the process for the other axle bushes.



COMMENTS



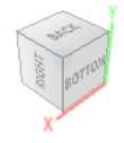
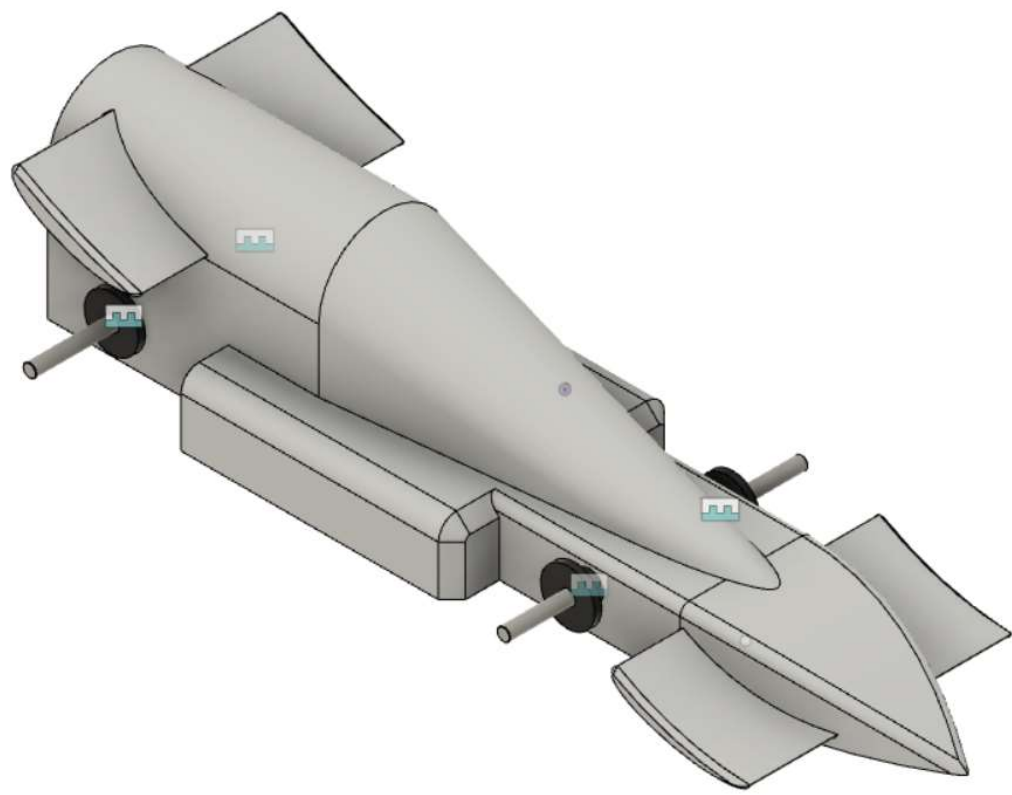
DESIGN ▾

SOLID SURFACE SHEET METAL TOOLS

CREATE ▾ MODIFY ▾ ASSEMBLE ▾ CONSTRUCT ▾ INSPECT ▾ INSERT ▾ SELECT ▾

BROWSER

- no\_go\_zone\_2019\_2020\_ent...
- Document Settings
- Named Views
- Origin
  - 0
  - X
  - Y
  - Z
  - XY
  - XZ
  - YZ
- Joints
- Bodies
- Sketches
- Construction
  - f1\_axle v1:1
  - f1\_axle v1:2
  - f1\_axle\_bush v1:2
  - f1\_axle\_bush v1:3
  - f1\_axle\_bush v1:4
  - f1\_axle\_bush v1:5



COMMENTS

Navigation and tool icons for the CAD software, including icons for pan, rotate, zoom, and other standard CAD functions.

Bottom status bar containing a series of small icons for various CAD functions, such as undo, redo, and other tool-specific actions.